

## APPLICATION NOTE

 Prosilica GT Large Format  
 Lens Mount Comparison

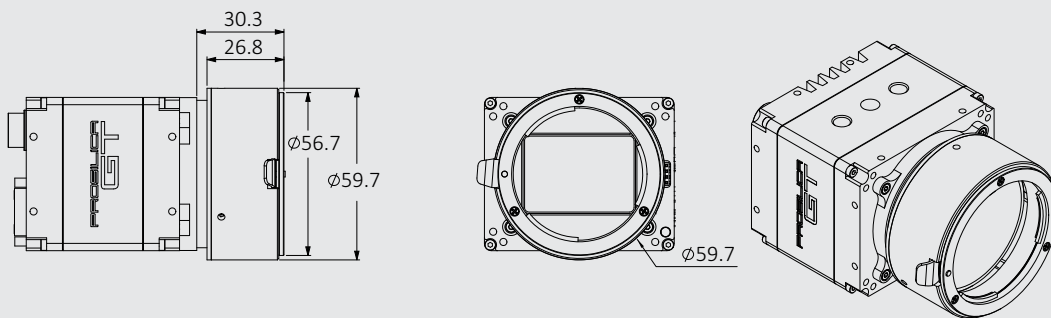
2019-Nov-15

## Introduction

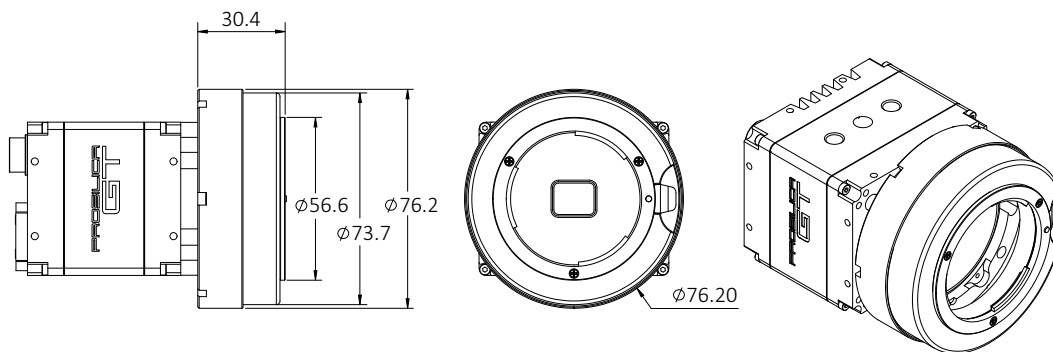
This document compares mount envelope dimensions between old and new style Prosilica GT Large Format mounts. All dimensions are stated in millimeters (mm).

## F-Mount

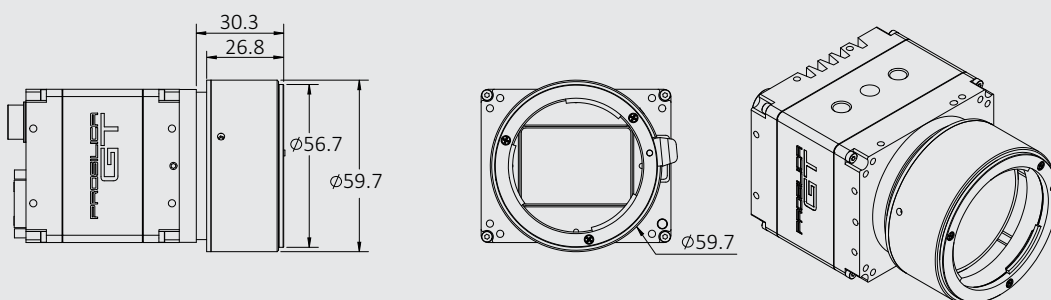
**F-Mount: New // Legacy-style (with small footprint) // 02-26XXD // 46.5 mm flange focal distance**



**F-Mount: New // Planarity Adjustable // 02-26XXD-03 // 46.5 mm flange focal distance**

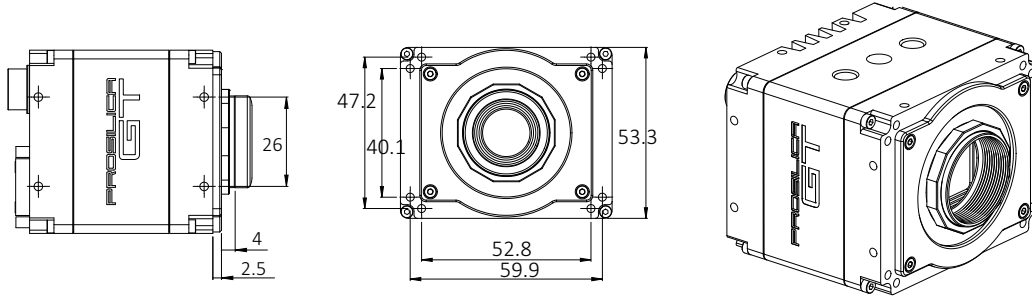


**F-Mount: Discontinued // 02-26XXB // 46.5 mm flange focal distance**



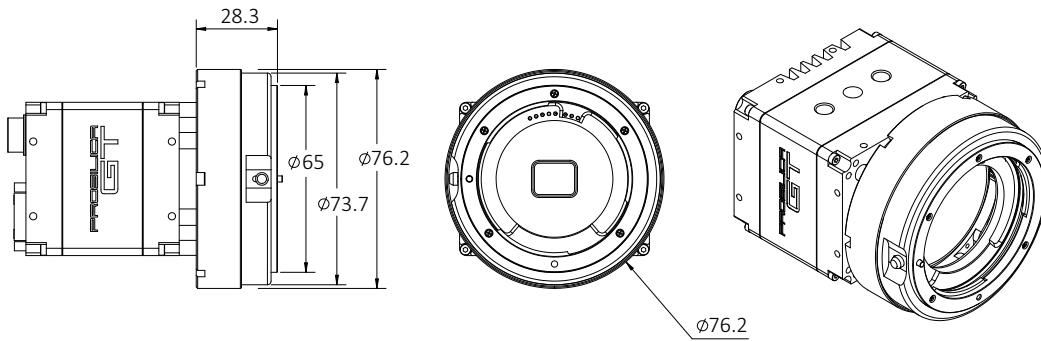
## C-Mount

**C-Mount:** New // 02-26XXD-07 // 17.526 mm flange focal distance



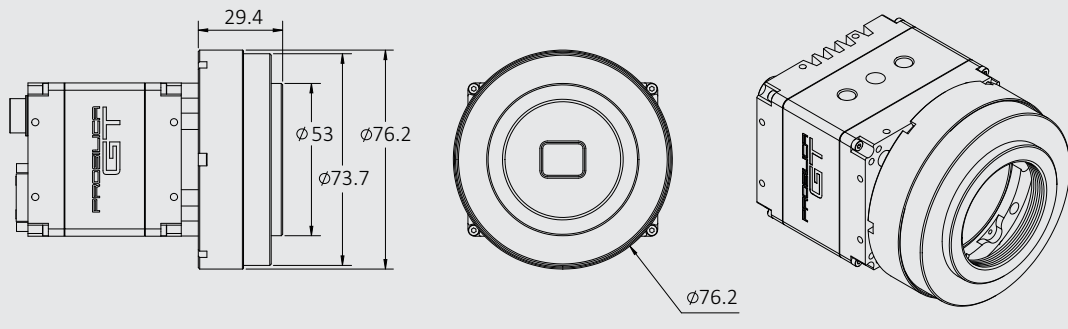
## EF-Mount

**EF-Mount:** New // Planarity Adjustable // 02-26XXD-18 // 44 mm flange focal distance

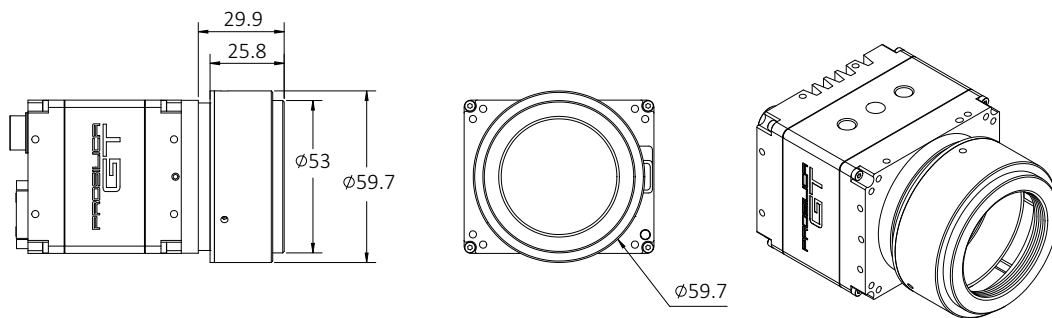


## M42-Mount

**M42-Mount: New** // Planarity Adjustable // 02-26XXD-25 // 45.46 mm flange focal distance

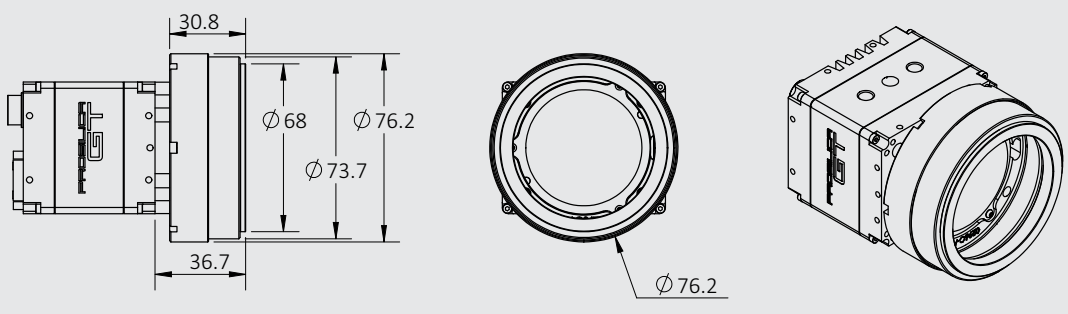


**M42-Mount: Unchanged** // 02-27XXD-31 (02-26XXB-31) // 45.46 mm flange focal distance

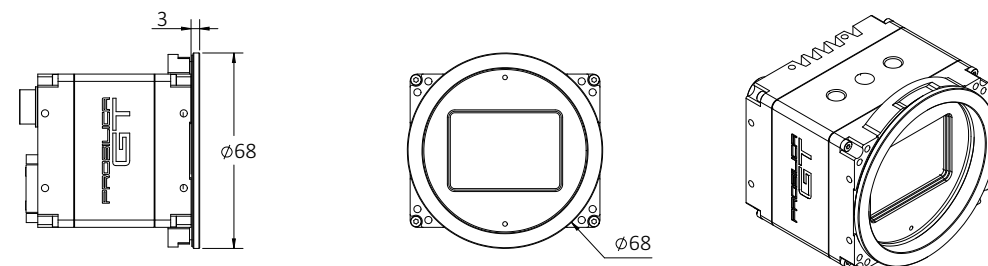


## M58-Mount

**M58-Mount: New** // Planarity Adjustable // 02-26XXD-13 // 46.5 mm flange focal distance

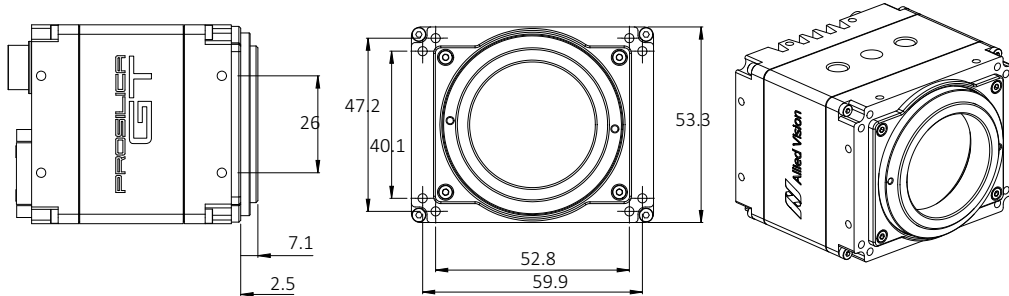


**M58-Mount: Unchanged** // 02-26XXD-12 (02-27XXB-12) // 12.71 mm flange focal distance



## TFL-Mount

**TFL-Mount:** New // 02-27XXD-40 // 17.526 mm flange focal distance



For technical support, please contact [support@alliedvision.com](mailto:support@alliedvision.com).

For comments or suggestions regarding this document, please contact [info@alliedvision.com](mailto:info@alliedvision.com).

### Copyright and trademarks

All text, pictures, and graphics are protected by copyright and other laws protecting intellectual property. All content is subject to change without notice.

All trademarks, logos, and brands cited in this document are property and/or copyright material of their respective owners. Use of these trademarks, logos, and brands does not imply endorsement.

Copyright © 2019 Allied Vision GmbH. All rights reserved.