



ACCESSORIES

C-Mount Lenses User Guide

V1.1.2

**Quick links**

- [This document at a glance](#) on page 15
- [Contact us](#) on page 17
- [Contents](#) on page 18

Read before use

EN - English

Safety

Before using the product, read these safety instructions. Observe the warnings at all times. Use the product only as stated in the [Intended use](#) on page 23.

**CAUTION****Injuries by focused sunlight**

If the sunlight is focused by the lens, eyes or skin can be injured.

**CAUTION****Risk of cuts by sharp edges of lens mounts**

The threads of the lens mount can have sharp edges.

**CAUTION****Injury by a falling product**

The falling product can cause injury.

Intended use

Intended use of Allied Vision product is the integration into vision systems by professionals. All Allied Vision product is sold in a B2B setting.

DA - Dansk

Sikkerhed

Læs sikkerhedsanvisningerne, før produkt bruges. Overhold alle advarsler. Brug kun produkt som anført i [Intended use](#) på side 23.



FORSIGTIG

Skader ved fokuseret sollys

Hvis sollyset fokuseres af linsen, kan øjnene eller huden blive skadet.



FORSIGTIG

Fare for snitsår på linsemodulets skarpe kanter

Linsemodulets gevind kan have skarpe kanter.



FORSIGTIG

Kvæstelser, hvis produkt falder ned

Falder produkt ned, kan dette forårsage kvæstelser.

Tilsigtet brug

Allied Vision produktets tilsigtede brug er en indbygning i et visionssystem, udført af fagfolk. Alle Allied Vision produkter sælges i B2B.

DE - Deutsch

Sicherheit

Bevor Sie das Produkt benutzen, lesen Sie diese Sicherheitshinweise. Beachten Sie diese Hinweise immer. Verwenden Sie das Produkt nur wie beschrieben in [Intended use](#) auf Seite 23.



VORSICHT

Verletzungen durch fokussiertes Sonnenlicht

Wird das Sonnenlicht durch das Objektiv gebündelt, können die Augen oder die Haut verletzt werden.



VORSICHT

Schnitte durch scharfkantige Objektivgewinde

Objektivgewinde können scharfe Kanten haben.



VORSICHT

Verletzung durch das fallende Produkt

Das fallende Produkt kann Verletzungen verursachen.

Bestimmungsgemäßer Gebrauch

Allied Vision Produkte sind bestimmt für die Integration in Bildverarbeitungssysteme durch Fachpersonal. Alle Allied Vision Produkte werden in einer B2B-Umgebung verkauft.

ES - Español

Seguridad

Antes de utilizar el producto lea estas instrucciones de seguridad. Observe las advertencias en todo momento. Utilice el producto solo tal y como se estipula en el [Intended use](#) en la página 23.



ATENCIÓN

Lesiones por luz solar focalizada

Si la luz solar es enfocada por la lente, los ojos o la piel pueden resultar dañados.



ATENCIÓN

Riesgo de cortes debido a los bordes afilados del objetivo

Las roscas de los objetivos pueden tener bordes afilados.



ATENCIÓN

Lesiones en caso de que el producto se cae

Si el producto se cae puede provocar lesiones.

Uso previsto

El uso previsto del producto Allied Vision es la integración en el sistema de visión por parte de profesionales. Todos los productos Allied Vision se venden dentro de una relación B2B.

FI - Suomi

Turvallisuus

Lue nämä turvallisuusohjeet ennen tuotteen käyttöä. Noudata tuotetta joka hetki. Käytä tuotteen ainoastaan kohdassa [Intended use](#) sivulla 23 kuvatulla tavalla.



HUOMIO

Kohdennetun auringonvalon aiheuttamat vammat

Jos linssi keskittää auringonvalon, silmät tai iho voivat vahingoittua.



HUOMIO

Linssien kiinnikkeiden terävien reunojen aiheuttamien viiltovammojen vaara

Linssin kiinnikkeiden kierteiden reunat voivat olla teräviä.



HUOMIO

Putoavan tuotteen aiheuttamat vammat

Putoava tuote voi aiheuttaa vammoja.

Käyttötarkoitus

Allied Vision-tuotteen käyttötarkoitus on integrointi kuvajärjestelmiin ammattilaisten toimesta. Kaikki Allied Vision-tuotteet myydään B2B-ympäristössä.

FR - Français

Sécurité

Veuillez lire ces consignes de sécurité avant d'utiliser le produit. Respectez continuellement les avertissements. Utilisez le produit uniquement comme indiqué sous [Intended use](#), page 23.



ATTENTION

Blessures dues à la lumière solaire focalisée

Si la lumière du soleil est focalisée par la lentille, les yeux ou la peau peuvent être blessés.



ATTENTION

Risque de coupures sur les bords tranchants des montures d'objectif

Les filetages des montures d'objectif peuvent présenter des bords tranchants.



ATTENTION

Blessures en cas de chute du produit

La chute de la produit peut entraîner des blessures.

Utilisation prévue

L'utilisation prévue du produit Allied Vision est son intégration dans des systèmes de vision par le soin de professionnels. Tout produit Allied Vision est vendu dans un cadre B2B.

עברית - HE

בטיחות

לפני השימוש במוצר, עליך לקרוא את הוראות הביטחון האלו. עליך לממש הוראות ביטחון אלו תמיד. השימוש במצלמה הוא רק לפי מה שכתוב ב"כוונת השימוש" (Intended use בעמוד 23).

זהירות

סכנת פגיעה על ידי קרני השמש בנקודת המוקד
עם דרך העדשה מתרכזות קרני השמש, יכולה העין וגם העור להיפגע.



זהירות

סכנה להחתך מתבריג חד של העדשה
תבריג תושבת העדשה עלול להיות חד עד כדי פגיעה.



זהירות

פגיעה מנפילת המוצר
נפילת המוצר עלולה לגרום לפגיעה.



שימוש מיועד

מוצרי AlliedVision מיועדים לשילוב במערכות ממוחשבת לעיבוד צילומים ע"י אנשי מקצוע. כל מוצרי AlliedVision נמכרים לשימוש בסביבת B2B.

IT - Italiano

Sicurezza

Leggere queste istruzioni per la sicurezza prima di utilizzare il prodotto. Osservare sempre tutte le avvertenze. Utilizzare il prodotto come descritto alla sezione [Intended use](#) a pagina 23.



ATTENZIONE

Lesioni da luce solare concentrata

Se la luce solare viene focalizzata dalla lente, gli occhi o la pelle possono subire lesioni.



ATTENZIONE

Pericolo di tagliarsi sui bordi affilati degli attacchi della lente

I bordi della filettatura dell'attacco della lente possono essere affilati.



ATTENZIONE

Lesioni dovute alla caduta del prodotto

Il prodotto può causare delle lesioni.

Uso previsto

Il prodotto Allied Vision è concepito per essere integrato in sistemi di monitoraggio in campo professionale. Tutti i prodotti Allied Vision sono venduti in uno scenario B2B.

JA - 日本語

安全性

本製品を使用する前に、この安全ガイドをお読みください。警告を必ず守ってください。必ず21ページのIntended use 23 ページに従って使用してください。



注意

太陽光の集光による傷害

太陽光がレンズで集光されると、目や皮膚を傷つける可能性があります。



注意

レンズマウントの鋭利な端部で切り傷の危険性

レンズマウントのギザギザの部分が鋭利である可能性があります。



注意

製品の落下によるケガ

本製品が落下すると、けがをするおそれがあります。

用途

Allied Vision製品は、専門家が視覚装置に統合することを意図したものです。すべてのAllied Vision製品は、企業間取り引き用に販売されています。

NL - Nederlands

Veiligheid

Lees deze veiligheidsinstructies voordat u het product gebruikt. Neem deze waarschuwingen altijd in acht. Gebruik het product uitsluitend, zoals aangegeven in het [Intended use](#) op pagina 23.



VOORZICHTIG

Verwondingen door gericht zonlicht

Als het zonlicht door de lens wordt gefocuseerd, kunnen ogen of huid worden verwond.



VOORZICHTIG

Risico van snijwonden door scherpe randen van lensbevestigingen

Het schroefdraad van de lensbevestiging kan scherpe randen hebben.



VOORZICHTIG

Letsel door het vallende product

Het vallende product kan verwondingen veroorzaken.

Beoogd gebruik

Het beoogde gebruik van het Allied Vision-product is de integratie in optische systemen door professionals. Alle Allied Vision-producten worden verkocht in de B2B-markt.

NO - Norsk

Sikkerhet

Les disse sikkerhetsinstruksene før du bruker produkt. Følg advarslene til en hver tid. Bruk kun produkt i samsvar med [Intended use](#) på side 23.



FORSIKTIG

Skader ved fokusert sollys

Hvis sollyset fokuseres av linsen, kan øyne eller hud bli skadet.



FORSIKTIG

Risiko for kutt fra skarpe kanter på linsefester

Sporene på linsefestet kan ha skarpe kanter.



FORSIKTIG

Skade ved det fallende produktet

Det fallende produktet kan forårsake skade.

Tiltenkt bruk

Den tiltenkte bruken av Allied Vision-produktet er integrering i visjonssystemer av profesjonelle. Alle Allied Vision-produkter selges i en forretning til forretning-situasjon.

SV - Svenska

Säkerhet

Läs igenom säkerhetsinstruktionerna innan du använder produkten. Var hela tiden särskilt uppmärksam på varningarna. Använd enbart produkten på det sätt som anges i [Intended use](#) på sida 23.



VARNING

Skador orsakade av fokuserat solljus

Om solljuset fokuseras av linsen kan ögonen eller huden skadas.



VARNING

Risk för skärsår från vassa kanter på objektivfattningar

Objektivets gängor kan ha vassa kanter.



VARNING

Risk för skador från fallande produkter

Fallande produkter kan förorsaka skador.

Avsedd användning

Den avsedda användningen av Allied Vision-produkter är integrering i visionsystem av fackmän. Samtliga Allied Vision-produkter säljs i en B2B-miljö.

ZH – 简体中文版

安全需知

在使用产品之前，请阅读这些安全说明。请务必遵守相关警告 和 [Intended use](#) 于第 23 页。



注意事项

阳光集中照射造成的伤害

如果阳光被镜片聚焦，眼睛或皮肤就会受伤。



注意事项

镜头接口的锐利边缘划伤风险

镜头接口螺纹边缘可能较为锐利。



注意事项

由坠落的产品造成的伤害

产品可能会坠落并造成伤害。

预期用途

Allied Vision 产品的预期用途是由专业人士整合到视觉系统中。所有 Allied Vision 的产品均通过 B2B 渠道销售。

This document at a glance



Get an overview:

| | |
|------------------------------|----|
| Shipping contents..... | 16 |
| What else do you need? | 16 |

**Read this document carefully**

Learn to use C-Mount lenses in the most safe and efficient way and avoid damage to cameras and lenses.

Shipping contents

- C-Mount lens
- Protection caps for the front lens and the back lens.

What else do you need?

**Technical information and ordering**

For information about Allied Vision cameras, see www.alliedvision.com/en/support.

For C-Mount lenses in this user guide, please contact Allied Vision Sales at www.alliedvision.com/en/about-us/contact-us/contact-sales.

Contact us

Website, email

General

www.alliedvision.com/en/contact
info@alliedvision.com

Distribution partners

www.alliedvision.com/en/avt-locations/avt-distributors

Support

www.alliedvision.com/en/support
www.alliedvision.com/en/about-us/contact-us/technical-support-repair-/rma

Offices

Europe, Middle East, and Africa (Headquarters)

Allied Vision Technologies GmbH
Taschenweg 2a
07646 Stadtroda, Germany
T// +49 36428 677-0 (Reception)
T// +49 36428 677-230 (Sales)
F// +49 36428 677-28

Asia-Pacific

China

Allied Vision Technologies
(Shanghai) Co., Ltd.
2-2109 Hongwell Int. Plaza
1602# ZhongShanXi Road
Shanghai 200235, China
T// +86 21 64861133

Singapore

Allied Vision Technologies Asia Pte. Ltd
82 Playfair Rd, #07-01 D'Lithium
Singapore 368001
T// +65 6634 9027

North, Central, and South America

Canada

Allied Vision Technologies Canada Inc.
300 – 4621 Canada Way
Burnaby, BC V5G 4X8, Canada
T// +1 604 875 8855

USA

Allied Vision Technologies, Inc.
102 Pickering Way- Suite 502
Exton, PA 19341, USA
Toll-free// +1-877-USA-1394
T// +1 978 225 2030

Contents

| | |
|---|-----------|
| Read before use | 2 |
| This document at a glance | 15 |
| Shipping contents | 16 |
| What else do you need? | 16 |
| Contact us | 17 |
| Document history | 20 |
| Conventions used in this user guide | 20 |
| Typographical styles | 20 |
| Symbols and notes | 20 |
| Lenses naming | 21 |
| Intended use and safety | 22 |
| Intended use | 23 |
| Your safety | 23 |
| Product safety | 23 |
| Maximum protrusion | 23 |
| Sensor | 24 |
| Copyright and trademarks | 24 |
| Specifications | 25 |
| Lenses for sensors up to 6 MP | 26 |
| C-6-F2.8-6MP-T1-1.8 | 26 |
| Lenses for sensors up to 10 MP | 27 |
| C-8-F2.4-10MP-T2-3 | 27 |
| C-12-F2.0-10MP-T2-3 | 28 |
| C-16-F1.8-10MP-T2-3 | 29 |
| C-25-F1.8-10MP-T2-3 | 30 |
| C-35-F2.0-10MP-T2-3 | 31 |
| C-50-F2.8-10MP-T2-3 | 32 |
| Lenses for sensors up to 25 MP | 33 |
| C-12-F2.4-25MP-T1.2 | 33 |
| C-16-F2.4-25MP-T1.2 | 34 |
| C-25-F2.4-25MP-T1.2 | 35 |
| C-35-F2.4-25MP-T1.2 | 36 |
| C-50-F2.4-25MP-T1.2 | 37 |

Document history and conventions



This chapter includes:

| | |
|--|----|
| Document history | 20 |
| Conventions used in this user guide..... | 20 |

Document history

| Version | Date | Remarks |
|---------|-------------|---|
| V1.1.1+ | 2024-Feb-19 | <ul style="list-style-type: none"> Corrected footnotes and title in specifications for C-35-F2.0-10MP-T2-3 on page 31. |
| V1.1.1 | 2023-Feb-14 | <ul style="list-style-type: none"> Added Hebrew contents in Read before use on page 2. Applied editorial changes. |
| V1.1.0 | 2022-Aug-04 | Added C-6-F2.8-6MP-T1-1.8 on page 26. |
| V1.0.0 | 2022-May-20 | Initial version |

Table 1: Document history

Conventions used in this user guide

To give this manual an easily understood layout and to emphasize important information, the following typographical styles and symbols are used:

Typographical styles

| Style | Function |
|--|---|
| Emphasis | Highlighting important things |
| Web links and references | Links to webpages and internal cross references |

Table 2: Typographical styles

Symbols and notes



CAUTION

General safety message

Precautions are described



CAUTION

Injury by falling cameras or lenses

Precautions are described



CAUTION

Risk of cuts by sharp edges of lens mounts

Precautions are described


NOTICE
Material damage

Precautions are described.


Additional information

Web link or reference to an external source with more information is shown.

Lenses naming

C-Mount lenses are named to identify model properties.

For example, **C-8-F2.4-10MP-T2-3** is composed of:

| | C | 8 | F2.4 | 10MP | T2-3 |
|------------------------|------------|--------------|----------------|----------------------------|-------------|
| Content element | Lens mount | Focal length | Aperture (f/#) | Supported pixel resolution | Sensor size |
| Content meaning | C-Mount | 8 mm | F/2.4 | 10 MP* | Type 2/3 |

*Megapixels

Table 3: Lenses naming

Intended use and safety



This chapter includes:

| | |
|--------------------------------|----|
| Intended use | 23 |
| Your safety..... | 23 |
| Product safety | 23 |
| Copyright and trademarks | 24 |

Intended use

Allied Vision's objective is the development, design, production, maintenance, servicing and distribution of digital cameras and components for image processing. We are offering standard products as well as customized solutions.

Intended use of Allied Vision product is the integration into Vision systems by professionals. All Allied Vision product is sold in a B2B setting.

Allied Vision isn't a legal manufacturer of medical product. Instead, Allied Vision cameras and accessories may be used as components for medical product after design-in by the medical device manufacturer and based on a quality assurance agreement (QAA) between Allied Vision (supplier) and medical device manufacturer (customer). Allied Vision's duties in that respect are defined by ISO 13485, clause 7.2 (customer-related processes, equivalent to ISO 9001, clause 8.2).

Your safety

Threads of the lens and the camera lens mount have sharp edges. Be careful these edges do not cut your skin when handling lenses and lens mounts.

Prevent cameras and lenses from falling:
Ensure proper mounting of cameras and lenses, especially for dynamic applications.

Product safety

To prevent material damage, read the following to understand risks in using C-Mount lenses.

Maximum protrusion

If the lens exceeds maximum protrusion, camera, lens, or electronics can be damaged. Do the following to avoid damage:

- Before you mount a lens to a camera, see your camera's specifications for maximum protrusion.
- Use only lenses with a protrusion supported by the corresponding camera.

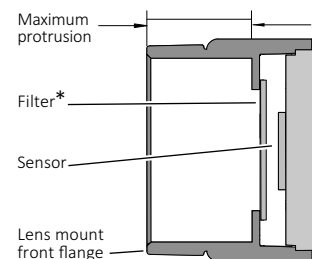


Figure 1: Maximum protrusion

Sensor

Sensors are sensitive to excessive radiation: focused sunlight, lasers, and X-rays can damage the sensor. Dirt and scratches can damage the sensor, too.

Protect the sensor from dirt, because dirt becomes more visible the closer it gets to the sensor. In addition, keep the back lens clean. Hold the camera with the lens mount facing the ground to keep dirt out of the lens mount

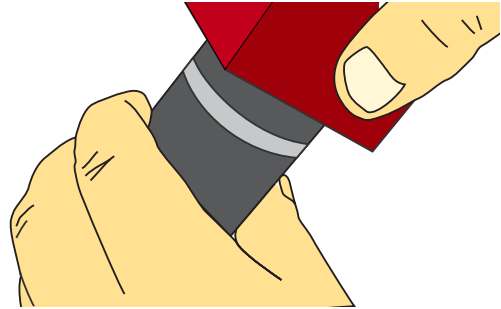


Figure 2: Protecting the sensor from dirt

Copyright and trademarks

All text, pictures, and graphics are protected by copyright and other laws protecting intellectual property. All content is subject to change without notice.

All trademarks, logos, and brands cited in this document are property and/or copyright material of their respective owners. Use of these trademarks, logos, and brands does not imply endorsement.

Copyright © 2024 Allied Vision Technologies GmbH. All rights reserved.

Specifications

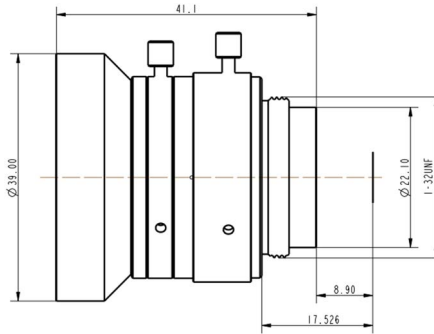


This chapter includes technical data for two lens series:

| | |
|--------------------------------------|----|
| Lenses for sensors up to 6 MP | 26 |
| Lenses for sensors up to 10 MP | 27 |
| Lenses for sensors up to 25 MP | 33 |

Lenses for sensors up to 6 MP

C-6-F2.8-6MP-T1-1.8

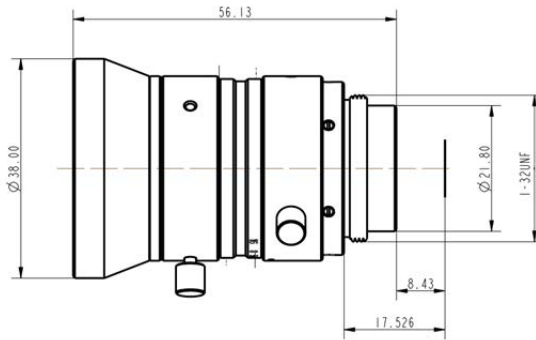


| Feature | Value |
|---|--------------------------|
| Product code | 18497 |
| Camera mount | C-Mount |
| Sensor size | Type 1/1.8 |
| Pixel size | 2.4 μm |
| Focal length | 6 mm |
| Aperture (f/#) | F2.8 to F16 |
| Focus range ¹ | 0.1 m to ∞ |
| Supported pixel resolution | 6 MP |
| Angle of view (diagonal) ² | 75.0° with Type 1/1.8 |
| Flange focal distance | 17.526 mm |
| Image circle | \varnothing 9.5 mm |
| Relative illumination | 62% |
| TV distortion ³ | +0.81% |
| CRA (chief ray angle) | max. 13.4° |
| Spectral transmission [τ] (486 nm to 656 nm) | \geq 85% |
| Structure | 9 glass elements |
| Dimensions (diameter \times length) | 39.0 mm \times 32.5 mm |
| Filter thread | M37.5 \times P0.5 |
| Mass | 66 g |
| ¹ Measured from the object to the front lens surface | |
| ² Working distance = ∞ | |
| ³ Working distance = 0.1 m to ∞ | |

Table 4: C-6-F2.8-6MP-T1-1.8 specifications

Lenses for sensors up to 10 MP

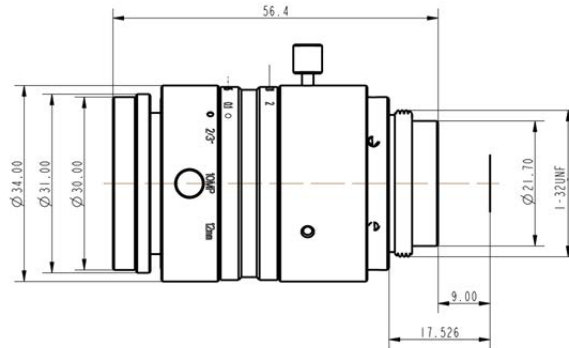
C-8-F2.4-10MP-T2-3



| Feature | Value |
|---|----------------------|
| Product code | 17870 |
| Camera mount | C-Mount |
| Sensor size | Type 2/3 |
| Pixel size | 2.4 μm |
| Focal length | 8 mm |
| Aperture (f/#) | F2.4 to F16 |
| Focus range ¹ | 0.1 m to ∞ |
| Supported pixel resolution | 10 MP |
| Angle of view (diagonal) ² | 68.3° with Type 2/3 |
| Flange focal distance | 17.526 mm |
| Image circle | \varnothing 11 mm |
| Relative illumination | 64% |
| TV distortion ³ | +0.73% |
| CRA (chief ray angle) | max. 15.5° |
| Spectral transmission [τ] (486 nm to 656 nm) | \geq 85% |
| Structure | 11 glass elements |
| Dimensions (diameter \times length) | 38 mm \times 47 mm |
| Filter thread | M37 \times P0.5 |
| Mass | 103 g |
| ¹ Measured from the object to the front lens surface | |
| ² Working distance = ∞ | |
| ³ Working distance = 0.1 m to ∞ | |

Table 5: C-8-F2.4-10MP-T2-3 specifications

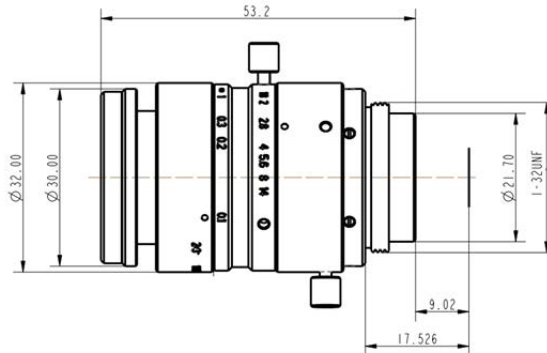
C-12-F2.0-10MP-T2-3



| Feature | Value |
|---|------------------------|
| Product code | 17871 |
| Camera mount | C-Mount |
| Sensor size | Type 2/3 |
| Pixel size | 2.4 μm |
| Focal length | 12 mm |
| Aperture (f/#) | F2.0 to F16 |
| Focus range ¹ | 0.1 m to ∞ |
| Supported pixel resolution | 10 MP |
| Angle of view (diagonal) ² | 48° with Type 2/3 |
| Flange focal distance | 17.526 mm |
| Image circle | \varnothing 11 mm |
| Relative illumination | 67% |
| TV distortion ³ | +0.19% |
| CRA (chief ray angle) | max. 8.8° |
| Spectral transmission $[\tau]$ (486 nm to 656 nm) | $\geq 85\%$ |
| Structure | 11 glass elements |
| Dimensions (diameter \times length) | 34 mm \times 47.9 mm |
| Filter thread | M28 \times P0.5 |
| Mass | 105 g |
| ¹ Measured from the object to the front lens surface | |
| ² Working distance = ∞ | |
| ³ Working distance = 0.1 m to ∞ | |

Table 6: C-12-F2.0-10MP-T2-3 specifications

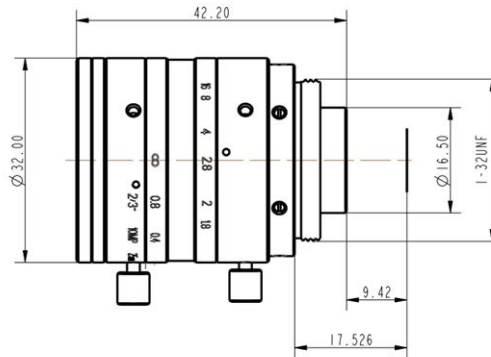
C-16-F1.8-10MP-T2-3



| Feature | Value |
|---|------------------------|
| Product code | 17872 |
| Camera mount | C-Mount |
| Sensor size | Type 2/3 |
| Pixel size | 2.4 μm |
| Focal length | 16 mm |
| Aperture (f/#) | F1.8 to F14 |
| Focus range ¹ | 0.1 m to ∞ |
| Supported pixel resolution | 10 MP |
| Angle of view (diagonal) ² | 36.8° with Type 2/3 |
| Flange focal distance | 17.526 mm |
| Image circle | \varnothing 11 mm |
| Relative illumination | 73% |
| TV distortion ³ | +0.13% |
| CRA (chief ray angle) | max. 10° |
| Spectral transmission [τ] (486 nm to 656 nm) | \geq 85% |
| Structure | 11 glass elements |
| Dimensions (diameter \times length) | 32 mm \times 44.7 mm |
| Filter thread | M27 \times P0.5 |
| Mass | 90 g |
| ¹ Measured from the object to the front lens surface | |
| ² Working distance = ∞ | |
| ³ Working distance = 0.1 m to ∞ | |

Table 7: C-16-F1.8-10MP-T2-3 specifications

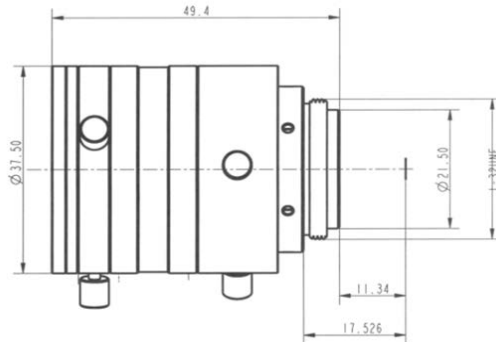
C-25-F1.8-10MP-T2-3



| Feature | Value |
|---|------------------------|
| Product code | 17873 |
| Camera mount | C-Mount |
| Sensor size | Type 2/3 |
| Pixel size | 2.4 μm |
| Focal length | 25 mm |
| Aperture (f/#) | F1.8 to F16 |
| Focus range ¹ | 0.15 m to ∞ |
| Supported pixel resolution | 10 MP |
| Angle of view (diagonal) ² | 22.8° with Type 2/3 |
| Flange focal distance | 17.526 mm |
| Image circle | \varnothing 11 mm |
| Relative illumination | 84% |
| TV distortion ³ | +0.01% |
| CRA (chief ray angle) | max. 13.5° |
| Spectral transmission [τ] (486 nm to 656 nm) | \geq 85% |
| Structure | 8 glass elements |
| Dimensions (diameter \times length) | 32 mm \times 33.9 mm |
| Filter thread | M27 \times P0.5 |
| Mass | 64 g |
| ¹ Measured from the object to the front lens surface | |
| ² Working distance = ∞ | |
| ³ Working distance = 0.15 m to ∞ | |

Table 8: C-25-F1.8-10MP-T2-3 specifications

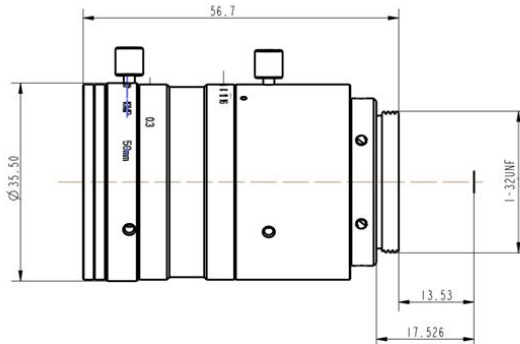
C-35-F2.0-10MP-T2-3



| Feature | Value |
|---|--------------------------|
| Product code | 17874 |
| Camera mount | C-Mount |
| Sensor size | Type 2/3 |
| Pixel size | 2.4 μm |
| Focal length | 35 mm |
| Aperture (f/#) | F2.0 to F16 |
| Focus range ¹ | 0.2 m to ∞ |
| Supported pixel resolution | 10 MP |
| Angle of view (diagonal) ² | 16° with Type 2/3 |
| Flange focal distance | 17.526 mm |
| Image circle | \varnothing 11 mm |
| Relative illumination | 87% |
| TV distortion ³ | +0.04% |
| CRA (chief ray angle) | max. 9.37° |
| Spectral transmission [τ] (486 nm to 656 nm) | \geq 85% |
| Structure | 8 glass elements |
| Dimensions (diameter \times length) | 37.5 mm \times 43.2 mm |
| Filter thread | M30.5 \times P0.5 |
| Mass | 98 g |
| ¹ Measured from the object to the front lens surface | |
| ² Working distance = ∞ | |
| ³ Working distance = 0.2 m to ∞ | |

Table 9: C-35-F2.0-10MP-T2-3 specifications

C-50-F2.8-10MP-T2-3

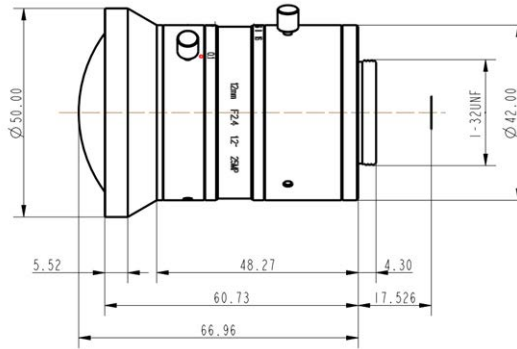


| Feature | Value |
|---|--------------------------|
| Product code | 17875 |
| Camera mount | C-Mount |
| Sensor size | Type 2/3 |
| Pixel size | 2.4 μm |
| Focal length | 50 mm |
| Aperture (f/#) | F2.8 to F16 |
| Focus range ¹ | 0.3 m to ∞ |
| Supported pixel resolution | 10 MP |
| Angle of view (diagonal) ² | 10.8° with Type 2/3 |
| Flange focal distance | 17.526 mm |
| Image circle | \varnothing 11 mm |
| Relative illumination | 99% |
| TV distortion ³ | +0.01% |
| CRA (chief ray angle) | max. 4.4° |
| Spectral transmission $[\tau]$ (486 nm to 656 nm) | $\geq 85\%$ |
| Structure | 8 glass elements |
| Dimensions (diameter \times length) | 35.5 mm \times 52.7 mm |
| Filter thread | M30.5 \times P0.5 |
| Mass | 93 g |
| ¹ Measured from the object to the front lens surface | |
| ² Working distance = ∞ | |
| ³ Working distance = 0.3 m to ∞ | |

Table 10: C-50-F2.8-10MP-T2-3 specifications

Lenses for sensors up to 25 MP

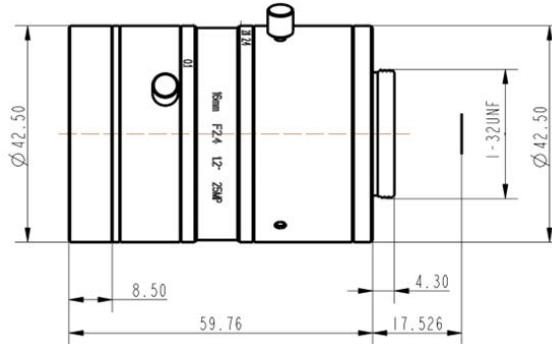
C-12-F2.4-25MP-T1.2



| Feature | Value |
|---|-----------------------|
| Product code | 17865 |
| Camera mount | C-Mount |
| Sensor size | Type 1.2 |
| Pixel size | 2.74 μm |
| Focal length | 12 mm |
| Aperture (f/#) | F2.4 to F16 |
| Focus range ¹ | 0.1 m to ∞ |
| Supported pixel resolution | 25 MP |
| Angle of view (diagonal) ² | 76.1° with Type 1.2 |
| Flange focal distance | 17.526 mm |
| Image circle | \varnothing 19.3 mm |
| Relative illumination | 81% |
| TV distortion ³ | +0.39% |
| CRA (chief ray angle) | max. 6° |
| Spectral transmission [τ] (486 nm to 656 nm) | \geq 85% |
| Structure | 15 glass elements |
| Dimensions (diameter \times length) | 50 mm \times 67mm |
| Filter thread | No filter thread |
| Mass | 219 g |
| ¹ Measured from the object to the front lens surface | |
| ² Working distance = ∞ | |
| ³ Working distance = 0.1 m to ∞ | |

Table 11: C-12-F2.4-25MP-T1.2 specifications

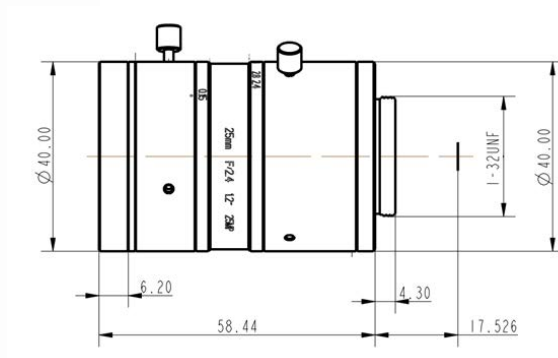
C-16-F2.4-25MP-T1.2



| Feature | Value |
|---|------------------------|
| Product code | 17866 |
| Camera mount | C-Mount |
| Sensor size | Type 1.2 |
| Pixel size | 2.74 μm |
| Focal length | 16 mm |
| Aperture (f/#) | F2.4 to F16 |
| Focus range ¹ | 0.1 m to ∞ |
| Supported pixel resolution | 25 MP |
| Angle of view (diagonal) ² | 61.4° with Type 1.2 |
| Flange focal distance | 17.526 mm |
| Image circle | \varnothing 19.3 mm |
| Relative illumination | 75% |
| TV distortion ³ | +0.07% |
| CRA (chief ray angle) | max. 6.5° |
| Spectral transmission [τ] (486 nm to 656 nm) | \geq 85% |
| Structure | 13 glass elements |
| Dimensions (diameter \times length) | 42.5 mm \times 60 mm |
| Filter thread | M40.5 \times P0.5 |
| Mass | 190 g |
| ¹ Measured from the object to the front lens surface | |
| ² Working distance = ∞ | |
| ³ Working distance = 0.1 m to ∞ | |

Table 12: C-16-F2.4-25MP-T1.2 specifications

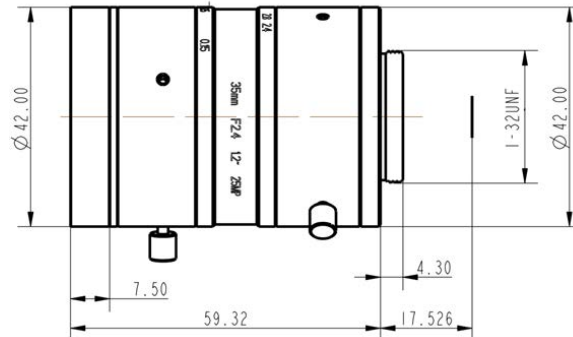
C-25-F2.4-25MP-T1.2



| Feature | Value |
|---|------------------------|
| Product code | 17867 |
| Camera mount | C-Mount |
| Sensor size | Type 1.2 |
| Pixel size | 2.74 μm |
| Focal length | 25 mm |
| Aperture (f/#) | F2.4 to F16 |
| Focus range ¹ | 0.15 m to ∞ |
| Supported pixel resolution | 25 MP |
| Angle of view (diagonal) ² | 41.2° with Type 1.2 |
| Flange focal distance | 17.526 mm |
| Image circle | \varnothing 19.3 mm |
| Relative illumination | 69% |
| TV distortion ³ | -0.11% |
| CRA (chief ray angle) | max. 6.5° |
| Spectral transmission $[\tau]$ (486 nm to 656 nm) | $\geq 85\%$ |
| Structure | 12 glass elements |
| Dimensions (diameter \times length) | 40 mm \times 58.5 mm |
| Filter thread | M37 \times P0.5 |
| Mass | 162 g |
| ¹ Measured from the object to the front lens surface | |
| ² Working distance = ∞ | |
| ³ Working distance = 0.15 m to ∞ | |

Table 13: C-25-F2.4-25MP-T1.2 specifications

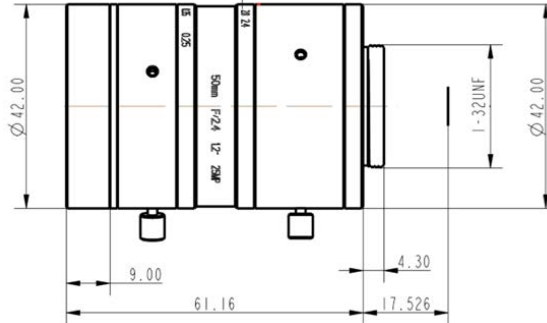
C-35-F2.4-25MP-T1.2



| Feature | Value |
|---|------------------------|
| Product code | 18375 |
| Camera mount | C-Mount |
| Sensor size | Type 1.2 |
| Pixel size | 2.74 μm |
| Focal length | 35 mm |
| Aperture (f/#) | F2.4 to F16 |
| Focus range ¹ | 0.15 m to ∞ |
| Supported pixel resolution | 25 MP |
| Angle of view (diagonal) ² | 29.3° with Type 1.2 |
| Flange focal distance | 17.526 mm |
| Image circle | $\varnothing 19.3$ mm |
| Relative illumination | 82% |
| TV distortion ³ | -0.07% |
| CRA (chief ray angle) | max. 6.5° |
| Spectral transmission [τ] (486 nm to 656 nm) | $\geq 85\%$ |
| Structure | 11 glass elements |
| Dimensions (diameter \times length) | 42 mm \times 59.3 mm |
| Filter thread | M40.5 \times P0.5 |
| Mass | 174 g |
| ¹ Measured from the object to the front lens surface | |
| ² Working distance = ∞ | |
| ³ Working distance = 0.15 m to ∞ | |

Table 14: C-35-F2.4-25MP-T1.2 specifications

C-50-F2.4-25MP-T1.2



| Feature | Value |
|---|------------------------|
| Product code | 17869 |
| Camera mount | C-Mount |
| Sensor size | Type 1.2 |
| Pixel size | 2.74 μm |
| Focal length | 50 mm |
| Aperture (f/#) | F2.4 to F16 |
| Focus range ¹ | 0.25 m to ∞ |
| Supported pixel resolution | 25 MP |
| Angle of view (diagonal) ² | 20.5° with Type 1.2 |
| Flange focal distance | 17.526 mm |
| Image circle | $\varnothing 19.3$ mm |
| Relative illumination | 79% |
| TV distortion ³ | +0.06% |
| CRA (chief ray angle) | max. 6.9° |
| Spectral transmission [τ] (486 nm to 656 nm) | $\geq 85\%$ |
| Structure | 11 glass elements |
| Dimensions (diameter \times length) | 42 mm \times 34.1 mm |
| Filter thread | M40.5 \times P0.5 |
| Mass | 179 g |
| ¹ Measured from the object to the front lens surface | |
| ² Working distance = ∞ | |
| ³ Working distance = 0.25 m to ∞ | |

Table 15: C-50-F2.4-25MP-T1.2 specifications