

DATA SHEET

Adapter Plate Mako to Alvium G1

For mounting Alvium G1 cameras using mounting holes previously used with Mako cameras

Product code
18143

V1.0.0
2023-Jun-08

Shipping contents

- Adapter Plate Mako to Alvium G1
- 2 screws M3-6 for mounting the adapter plate to the camera



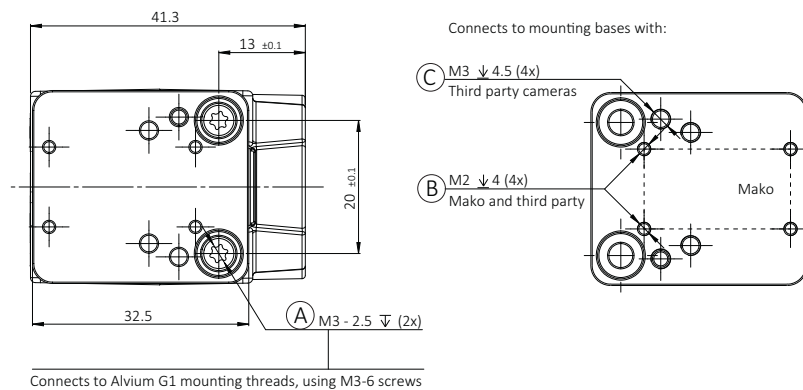
CAUTION

Personal injury by falling cameras

A falling camera can hit your body and hurt you.

- Before mounting your Alvium G1 camera to the adapter plates, read the Alvium G1 User Guide. See www.alliedvision.com/en/support/technical-documentation/alvium-gige-documentation.
- Use adapter plates only for static applications.

Dimensions



Specifications

Feature	Specification
Threads A	2 × M3-2.5 \downarrow (for Alvium G1 mounting threads, using M3-6 screws)
Threads B	4 × M2-4 \downarrow (for mounting bases previously used with Mako and third party cameras)
Threads C	4 × M3-4.5 \downarrow (for mounting bases previously used with third party cameras)
Dimensions (L × W × H)	32.5 mm × 29 mm × 7 mm
Mass	16 g
Regulations	REACH