



Technical Manual

Low-noise CCD camera with GigE interface and optional cooling

V2.4.0

2014-November-03

Legal notice

Life support applications

These products are not designed for use in life support appliances, devices, or systems where malfunction of these products can reasonably be expected to result in personal injury. Allied Vision Technologies customers using or selling these products for use in such applications do so at their own risk and agree to fully indemnify Allied Vision Technologies for any damages resulting from such improper use or sale.

Trademarks

Unless stated otherwise, all trademarks appearing in this document of Allied Vision Technologies are brands protected by law.

Warranty

The information provided by Allied Vision Technologies is supplied without any guarantees or warranty whatsoever, be it specific or implicit. Also excluded are all implicit warranties concerning the negotiability, the suitability for specific applications or the non-breaking of laws and patents. Even if we assume that the information supplied to us is accurate, errors and inaccuracy may still occur.

Copyright

All texts, pictures and graphics are protected by copyright and other laws protecting intellectual property. It is not permitted to copy or modify them for trade use or transfer, nor may they be used on websites.

Allied Vision Technologies GmbH 10/2014

All rights reserved.

Managing Director: Mr. Frank Grube

Tax ID: DE 184383113

Headquarters:

Taschenweg 2a

D-07646 Stadtroda, Germany

Tel: +49 (0)36428 6770

Fax: +49 (0)36428 677-28

e-mail: info@alliedvisiontec.com

Contents

Contacting Allied Vision Technologies	5
Introduction	7
Document history	7
Manual overview.....	9
Conventions used in this manual.....	10
Styles	10
Symbols	10
Before operation	11
Safety warnings.....	11
Conformity	12
CE	12
Specifications	13
Bigeye P-132B	13
Bigeye P-132B/C Cool / Bigeye P-132B NIR Cool	15
Bigeye P-629B Cool / P-629B NIR Cool	17
Bigeye P-1100B/C Cool.....	19
Spectral sensitivity	21
Camera dimensions	24
Bigeye P-132B	24
Bigeye P-132B/C Cool and P-132B NIR Cool	26
Bigeye P-629B Cool / NIR Cool	28
Bigeye P-1100B/C Cool.....	30
Camera interfaces	32
Control junction	32
Camera I/O connector pin assignment (15-pin D-sub connector)	32
Power supply (pin 1-4)	34
Mode input (pin 9).....	35
Trigger input (pin 10, 11).....	36
Exposure output (pin 12, 13)	37
Line-sync output (pin 14)	38
Frame-sync output (pin 15)	39
GigE interface	39
Pin assignment of Gigabit Ethernet connector	40
Exposure control.....	40
Mode setting	42
Binning.....	43
Gain	43

Appendix	45
GigE Vision feature description for Bigeye cameras	45
DeviceInformation.....	45
ImageSizeControl.....	46
AcquisitionControl	47
AnalogControls.....	47
CameraSpecialFeatures.....	48
CameraSpecialFeatures\BackgroundCorrection	48
Index	49

Contacting Allied Vision Technologies

Info



- **Technical information:**
<http://www.alliedvisiontec.com>
- **Support:**
support@alliedvisiontec.com

Allied Vision Technologies GmbH (Headquarters)

Taschenweg 2a
07646 Stadtroda, Germany
Tel: +49 36428-677-0
Fax.: +49 36428-677-28
e-mail: info@alliedvisiontec.com

Allied Vision Technologies Canada Inc.

101-3750 North Fraser Way
Burnaby, BC, V5J 5E9, Canada
Tel: +1 604-875-8855
Fax: +1 604-875-8856
e-mail: info@alliedvisiontec.com

Allied Vision Technologies Inc.

38 Washington Street
Newburyport, MA 01950, USA
Tel: +1 978-225-2030
Fax: +1 978-225-2029
e-mail: info@alliedvisiontec.com

Allied Vision Technologies Asia Pte. Ltd.

82 Playfair Road
#07-02 D'Lithium
Singapore 368001
Tel: +65 6634-9027
Fax: +65 6634-902
e-mail: info@alliedvisiontec.com

Allied Vision Technologies (Shanghai) Co., Ltd.

2-2109 Hongwell International Plaza
1602# ZhongShanXi Road
Shanghai 200235, China
Tel: +86 (21) 64861133
Fax: +86 (21) 54233670
e-mail: info@alliedvisiontec.com

Introduction

This **Bigeye Technical Manual** describes in depth the technical specifications, dimensions, all pixel formats, bandwidth and frame rate related subjects.

Note

Please read through this manual carefully.



We assume that you have read already the **How to install a GigE camera (Bigeye/Pearleye/Goldeye)** and that you have installed the hardware and software on your PC or laptop (GigE interface card, cables etc.).

<http://www.alliedvisiontec.com/emea/support/downloads/product-literature.html>

Note

The warranty becomes void in case of unauthorized tampering or any manipulations not approved by Allied Vision Technologies.



Note

In this manual, the product name Bigeye refers to the camera type Bigeye-P. Cameras of that type are equipped with a Pleora GigE Vision module. In contrast to that, the Bigeye-G cameras are equipped with an Allied Vision GigE Vision module.



Document history

Version	Date	Description
V2.0.0	03.11.11	New Bigeye Technical Manual
V2.1.0	23.01.12	Changed naming: from Bigeye x-xxxx Solar Cool to Bigeye x-xxxx NIR Cool <ul style="list-style-type: none"> Chapter <i>Bigeye P-132B/C Cool / Bigeye P-132B NIR Cool</i> on page 15 Chapter <i>Bigeye P-629B Cool / P-629B NIR Cool</i> on page 17 <i>Figure 3: Spectral sensitivity of Bigeye P-132B NIR Cool</i> on page 22
to be continued on next page		

Table 1: Document history

Version	Date	Description
continued from previous page		
V2.1.0 [continued]	23.01.12 [continued]	<ul style="list-style-type: none"> • <i>Figure 4: Spectral sensitivity of Bigeye P-629B Cool / P-629B NIR Cool</i> on page 22 • Chapter <i>Bigeye P-132B/C Cool and P-132B NIR Cool</i> on page 26 • Chapter <i>Bigeye P-629B Cool / NIR Cool</i> on page 28 <p>Chapter <i>Camera I/O connector pin assignment (15-pin D-sub connector)</i> on page 32</p> <p>Specifications data corrected</p> <ul style="list-style-type: none"> • Changed Power requirements and mass in Chapter <i>Specifications</i> on page 13 <p>Added feature</p> <ul style="list-style-type: none"> • Added Chapter <i>CameraSpecialFeatures\BackgroundCorrection</i> on page 94 <p>Changed values in Interface chapter</p> <ul style="list-style-type: none"> • Power supply values in Chapter <i>Camera I/O connector pin assignment (15-pin D-sub connector)</i> on page 32 • Dropped 1.3 A (Power supply) in <i>Figure 12: Camera I/O connector pin assignment (Bigeye P-629B Cool/NIR Cool)</i> on page 32 • Power supply values in Chapter <i>Power supply (pin 1-4)</i> on page 34 <p>Some minor corrections</p> <ul style="list-style-type: none"> • Changed values in Chapter <i>Line-sync output (pin 14)</i> on page 38 and in Chapter <i>Frame-sync output (pin 15)</i> on page 39 • Line instead of line in <i>Figure 16: Frame-sync output (Bigeye P-132)</i> on page 39 • Increased drawings for better readability in Chapter <i>Spectral</i>
V2.2.0	30.04.12	<ul style="list-style-type: none"> • Deleted uncooled camera photo on title page • Corrected frame rates for Bigeye P-629: see Chapter <i>Bigeye P-629B Cool / P-629B NIR Cool</i> on page 17 • Added background correction for all Bigeye models: Chapter <i>Specifications</i> on page 13 • Deleted <i>binning</i> and <i>1280 x 512 in frame rate feature</i> in Chapter <i>Bigeye P-132B/C Cool / Bigeye P-132B NIR Cool</i> on page 15
to be continued on next page		

Table 1: Document history

Version	Date	Description
continued from previous page		
V2.2.0 [continued]	30.04.12 [continued]	<ul style="list-style-type: none"> Corrected wording: <i>Stabilized to an absolute value of...</i> in <i>cooling feature</i> in Chapter <i>Specifications</i> on page 13 Added: <i>adjustable in 658.29 μs steps (or 390.10 μs steps in binning mode)</i> in <i>exposure time feature</i> in Chapter <i>Bigeye P-629B Cool / P-629B NIR Cool</i> on page 17 Added: <i>(rectangular, circle, ring, line)</i> to <i>analyze multiple regions</i> in <i>smart features</i> in Chapter <i>Specifications</i> on page 13
2.3.0	2013-July-08	<ul style="list-style-type: none"> Updated RoHS (2002/95/EC) to RoHS (2011/65/EU) Updated Specifications -> Power requirements (inrush current) Added „Surge“ warning Corrected number of cycles of Bigeye P-629B Cool / P-629B NIR Cool shutter Corrections derived from terminology alignment
2.4.0	2014-Nov-03	<ul style="list-style-type: none"> Added new brand name and brand logo

Table 1: Document history

Manual overview

This **manual overview** outlines the contents of each chapter of this manual.

- Chapter *Contacting Allied Vision Technologies* on page 5 lists Allied Vision contact data (phone numbers and URLs) for both:
 - Technical information / ordering
 - Commercial information
- Chapter *Introduction* on page 7 (this chapter) gives you the document history, a manual overview (short description of each chapter) and conventions used in this manual (styles and symbols).
- Chapter *Conformity* on page 12 gives you information about conformity of Allied Vision cameras (CE, RoHS).
- Chapter *Specifications* on page 13 lists camera details and measured spectral sensitivity diagrams for each camera type.
- Chapter *Camera dimensions* on page 24 provides CAD drawings of standard housing models, tripod adapter.
- Chapter *Camera interfaces* on page 32 describes in general the inputs/outputs of the cameras (incl. trigger features).
- Chapter *Index* on page 49 gives you quick access to all relevant data in this manual.

Conventions used in this manual

To give this manual an easily understood layout and to emphasize important information, the following typographical styles and symbols are used:

Styles

Style	Function	Example
Bold	Programs, inputs or highlighting important things	bold
Courier	Code listings, camera output etc.	Output
Courier bold	Commands sent to the camera	Command
Upper case	Register	REGISTER
Italics	Modes, fields	<i>Mode</i>

Table 2: Styles

Symbols

Note This symbol highlights important information.



Caution This symbol highlights important instructions. You have to follow these instructions to avoid malfunctions.



www This symbol highlights URLs for further information. The URL itself is shown in blue.



Example:

<http://www.alliedvisiontec.com>

Before operation

Target group This **Technical Manual** is the guide to detailed technical information of the camera and **is written for experts**.

Note

Please read through this manual carefully before operating the camera.



Caution

Before operating any Allied Vision camera read the following **safety instructions** and **ESD warnings**.



Safety warnings

Caution

Electrostatic discharge

The camera contains sensitive electronic components that can be destroyed by means of electrostatic discharge.

Use sufficient grounding to minimize the risk of damage.



Conformity

Allied Vision Technologies declares under its sole responsibility that all standard cameras of the **Bigeye** that this declaration relates to, are in conformity with the following standard(s) or other normative document(s):



- CE, following the provisions of 2004/108/EG directive
- RoHS (2011/65/EU)

CE

We declare, under our sole responsibility, that the previously described **Bigeye** cameras conform to the directives of the CE.

Specifications

Bigeye P-132B

Feature	Specification
Sensor	Type 2/3, progressive scan, Sony ICX 285AL, interline transfer sensor (no mechanical shutter required) EXView HAD
Effective chip size	8.26 mm (H) x 6.6 mm (V)
Cell size	6.45 μm x 6.45 μm
Picture size (max.)	1280 (H) x 1024 (V)
Lens mount	C-Mount
Pixel format	Mono8, Mono10, Mono12
Frame rate	up to 12.5 fps (full frame) up to 25 fps (binning: 1280 x 512)
ADC	14 bits
Exposure time	100 μs ... 1000 seconds in 76.19 μs steps
Digital output	12 bit
I/Os	Two inputs (one optocoupled) three outputs (one optocoupled)
Smart features	Vertical binning (1 x 2), switchable gain (+6 dB), continuous mode (image acquisition with maximum frame rate), image-on-demand mode (triggered image acquisition), background correction With Allied Vision AcquireControl: BCG LUT, auto contrast, auto brightness, analyze multiple regions within image, real-time statistics and histogram
Digital interface	IEEE 802.3 1000BASE-T (GigE Vision V1.2)
Power requirements	+ 12 V (+5 %), max. 0.85 A (during camera start-up: inrush current \geq 4 A for 20 ms, capacitive load < 2000 μF)
Dimensions	89 mm x 90 mm x 71 mm (L x W x H); incl. connectors, without tripod and lens
Mass	730 g (without lens)
Environmental air temperature	0 $^{\circ}\text{C}$... 35 $^{\circ}\text{C}$
Regulations	CE, RoHS (2011/65/EU)

Table 3: Specification Bigeye P-132B

Note

The design and specifications for the products described above may change without notice.

**Note**

The right polarization of the 12 V supply voltage has to be taken into consideration.

**Caution****Surge**

To avoid damage caused by surge, connect the camera to an AC/DC power supply. Use a certified industrial power supply that complies with common industrial standards. Make sure the polarization of the power supply is correct.

During the camera start-up, inrush currents ≥ 4 A can occur for 20 ms. Use a sufficiently dimensioned power supply to avoid damage to the camera.

For the DC signal, use cable lengths less than 30 m. Consider that the voltage drop increases with the cable length.

Allied Vision (or your local dealer) provides suitable power supplies:

<http://www.alliedvisiontec.com/emea/products/accessories.html>

Bigeye P-132B/C Cool / Bigeye P-132B NIR Cool

Feature	Specification
Sensor	Type 2/3, progressive scan, Sony ICX 285AL, interline transfer sensor (no mechanical shutter required) ExView HAD
Effective chip size	8.26 mm (H) x 6.6 mm (V)
Cell size	6.45 μm x 6.45 μm
Picture size (max.)	1280 (H) x 1024 (V)
Lens mount	C-Mount
ADC	14 bits
Pixel format	Mono8, Mono10, Mono12 Bigeye P-132C Cool: additional BayerGB8, BayerGB10, BayerGB12
Frame rate	up to 12.5 fps (full frame) up to 25 fps (640 x 512)
Exposure time	100 μs ... 1000 seconds, adjustable in 76.19 μs steps
Cooling	Peltier cooling Stabilized to an absolute value of -20 °C (up to +25 °C ambient temperature)
Digital output	12 bit
I/Os	Two inputs (one optocoupled) three outputs (one optocoupled)
Smart features	Binning (Cool: 1 x 2; NIR Cool: 2 x 2), Gain (+ 6dB), continuous mode (image acquisition with maximum frame rate), image-on-demand mode (triggered image acquisition), background correction With Allied Vision AcquireControl: BCG LUT, auto contrast, auto brightness, analyze multiple regions (rectangular, circle, ring, line) within image, real-time statistics and histogram
Digital interface	IEEE 802.3 1000BASE-T (GigE Vision V1.2)
Power requirements	+12 V (+5 %), max. 2.8 A (during camera start-up: inrush current \geq 4 A for 20 ms, capacitive load < 2000 μF)
Dimensions	111 mm x 90 mm x 99 mm (L x W x H); incl. connectors, without tripod and lens
Mass	1340 g (without lens)
Operating temperature	0 °C ... 35 °C
Regulations	CE, RoHS (2011/65/EU)

Table 4: Specification Bigeye P-132B/C Cool, Bigeye P-132B NIR Cool

Note

The design and specifications for the products described above may change without notice.

**Note**

The right polarization of the 12 V supply voltage has to be taken into consideration.



The two hexagon socket screws (M 5) in the front plate must not be loosened in any case since this may cause a leak to the vacuum area.

Caution**Surge**

To avoid damage caused by surge, connect the camera to an AC/DC power supply. Use a certified industrial power supply that complies with common industrial standards. Make sure the polarization of the power supply is correct.

During the camera start-up, inrush currents ≥ 4 A can occur for 20 ms. Use a sufficiently dimensioned power supply to avoid damage to the camera.

For the DC signal, use cable lengths less than 30 m. Consider that the voltage drop increases with the cable length.

Allied Vision (or your local dealer) provides suitable power supplies:

<http://www.alliedvisiontec.com/emea/products/accessories.html>

Bigeye P-629B Cool / P-629B NIR Cool

Feature	Specification
Sensor	Type 35 mm, CCD progressive scan, Truesense KAF-6303E, full-frame transfer sensor
Effective chip size	27.65 mm (H) x 18.43 mm (V)
Cell size	9.00 μm x 9.00 μm
Picture size (max.)	3072 (H) x 2048 (V)
Lens mount	F-Mount
Shutter	50 ms ... 30 min (built-in electromechanical long-live shutter: min. 100,000 cycles)
Pixel format	Mono8, Mono10, Mono12, Mono14, Mono16
Frame rate	up to 0.67 fps (full frame) up to 1.9 fps (binning: 1536 x 1024)
Readout time	1.35 s at 3072 x 2048 0.4 s at 1536 x 1024
Exposure time	50 ms ... 30 min, adjustable in 658.29 μs steps (or 390.10 μs steps in binning mode)
Cooling	Peltier cooling Stabilized to an absolute value of +5 $^{\circ}\text{C}$ (up to +25 $^{\circ}\text{C}$ ambient temperature)
ADC	14 bit
Digital output	14 bit
I/Os	Two inputs (one optocoupled) three outputs (one optocoupled)
Smart features	Binning (2 x 2), switchable gain (+ 6 dB), continuous mode (image acquisition with maximum frame rate), image-on-demand mode (triggered image acquisition), background correction With Allied Vision AcquireControl: BCG LUT, auto contrast, auto brightness, analyze multiple regions (rectangular, circle, ring, line) within image, real-time statistics and histogram
Digital interface	IEEE 802.3 1000BASE-T (GigE Vision V1.2)
Power requirements	+ 12 V (+ 5 %), max. 2.8 A
Dimensions	141.75 mm x 90 mm x 109 mm (L x W x H); incl. connectors, without tripod and lens
Mass	1460 g (without lens)

Table 5: Specification Bigeye P-629B Cool / P-629B NIR Cool

Feature	Specification
Operating temperature (ambient)	0 °C ... 35 °C
Regulations	CE, RoHS (2011/65/EU)

Table 5: Specification Bigeye P-629B Cool / P-629B NIR Cool

Note

The design and specifications for the products described above may change without notice.



Note

The right polarization of the 12 V supply voltage has to be taken into consideration.



Caution

Surge



To avoid damage caused by surge, connect the camera to an AC/DC power supply. Use a certified industrial power supply that complies with common industrial standards. Make sure the polarization of the power supply is correct.

During the camera start-up, inrush currents ≥ 4 A can occur for 20 ms. Use a sufficiently dimensioned power supply to avoid damage to the camera.

For the DC signal, use cable lengths less than 30 m. Consider that the voltage drop increases with the cable length.

Allied Vision (or your local dealer) provides suitable power supplies:

<http://www.alliedvisiontec.com/emea/products/accessories.html>

Bigeye P-1100B/C Cool

Feature	Specification
Sensor	Type 35 mm, CCD progressive scan, TruesenseKAI11002, interline transfer sensor (IT) (no mechanical shutter required) global shutter
Effective chip size	36.22 mm (H) x 24.12 mm (V)
Cell size	9.00 µm x 9.00 µm
Picture size (max.)	4024 (H) x 2680 (V)
Lens mount	F-Mount
Electronic shutter	Asynchronous up to 1/1000 s (image-on-demand), adjustable in 232 µs steps
Pixel format	b/w: Mono8, Mono10, Mono12 color: Mono8, Mono10, Mono12, BayerRG8, BayerRG10, BayerRG12
Frame rate	up to 1.6 fps (full frame) up to 3.2 fps (binning: 4024 x 1340)
Exposure time	1 ms ... 60 seconds, adjustable in 232.38 µs steps
Cooling	Peltier cooling Stabilized to an absolute value of 0 °C (up to +25 °C ambient temperature)
ADC	14 bit
Digital output	12 bit
I/Os	Two inputs (one optocoupled), three outputs (one optocoupled)
Smart features	Vertical binning (1 x 2), switchable gain (+6 dB), continuous mode (image acquisition with maximum frame rate), image-on-demand mode (triggered image acquisition), background correction With Allied Vision AcquireControl: BCG LUT, auto contrast, auto brightness, analyze multiple regions (rectangular, circle, ring, line) within image, real-time statistics and histogram
Digital interface	IEEE 802.3 1000BASE-T (GigE Vision V1.2)
Power requirements	+ 12 V (+5 %), max. approx. 3.0 A
Dimensions	143 mm x 90 mm x 99 mm (L x W x H); incl. connectors, without tripod and lens
Mass	1390 g (without lens)
Operating temperature	0 °C ... 40 °C
Regulations	CE, RoHS (2011/65/EU)

Table 6: Specification Bigeye P-1100B/C Cool

Note

The design and specifications for the products described above may change without notice.

**Note**

The right polarization of the 12 V supply voltage has to be taken into consideration.

**Caution****Surge**

To avoid damage caused by surge, connect the camera to an AC/DC power supply. Use a certified industrial power supply that complies with common industrial standards. Make sure the polarization of the power supply is correct.

During the camera start-up, inrush currents ≥ 4 A can occur for 20 ms. Use a sufficiently dimensioned power supply to avoid damage to the camera.

For the DC signal, use cable lengths less than 30 m. Consider that the voltage drop increases with the cable length.

Allied Vision (or your local dealer) provides suitable power supplies:

<http://www.alliedvisiontec.com/emea/products/accessories.html>

Spectral sensitivity

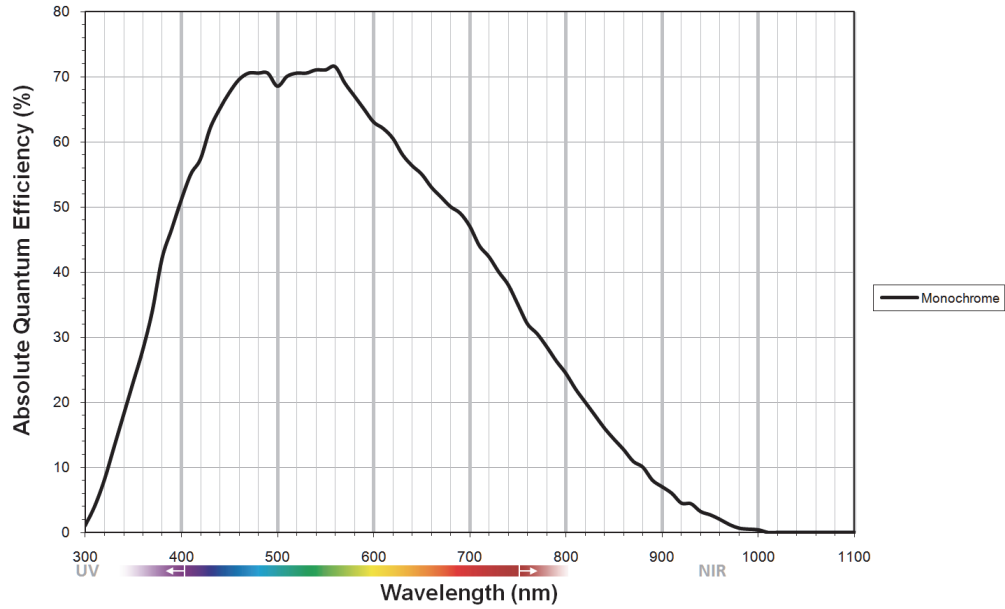


Figure 1: Spectral sensitivity of Bigeye P-132B / P-132B Cool

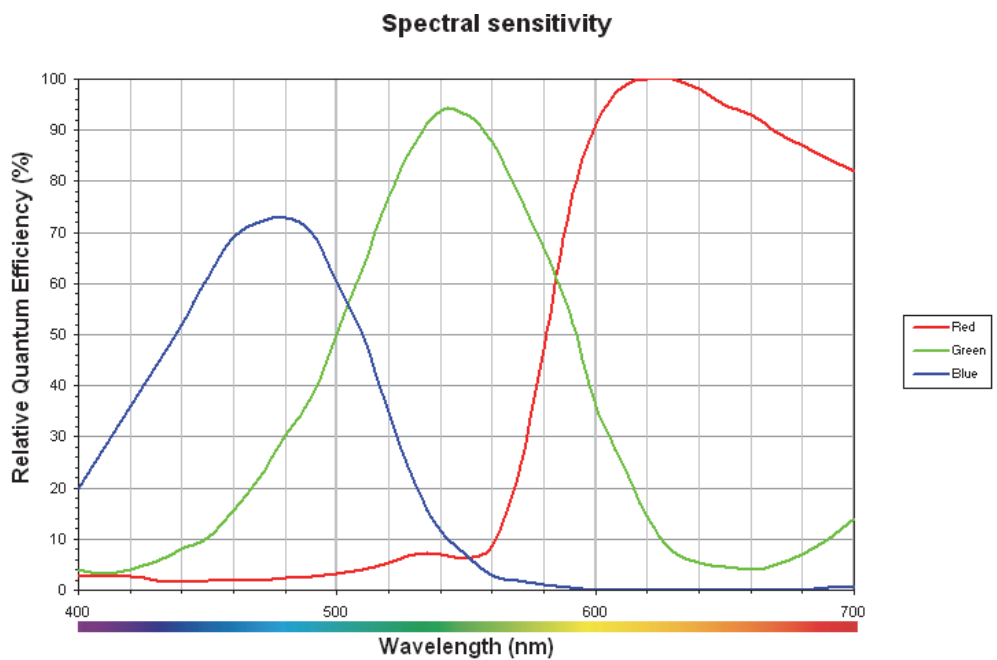


Figure 2: Spectral sensitivity of Bigeye P-132C Cool

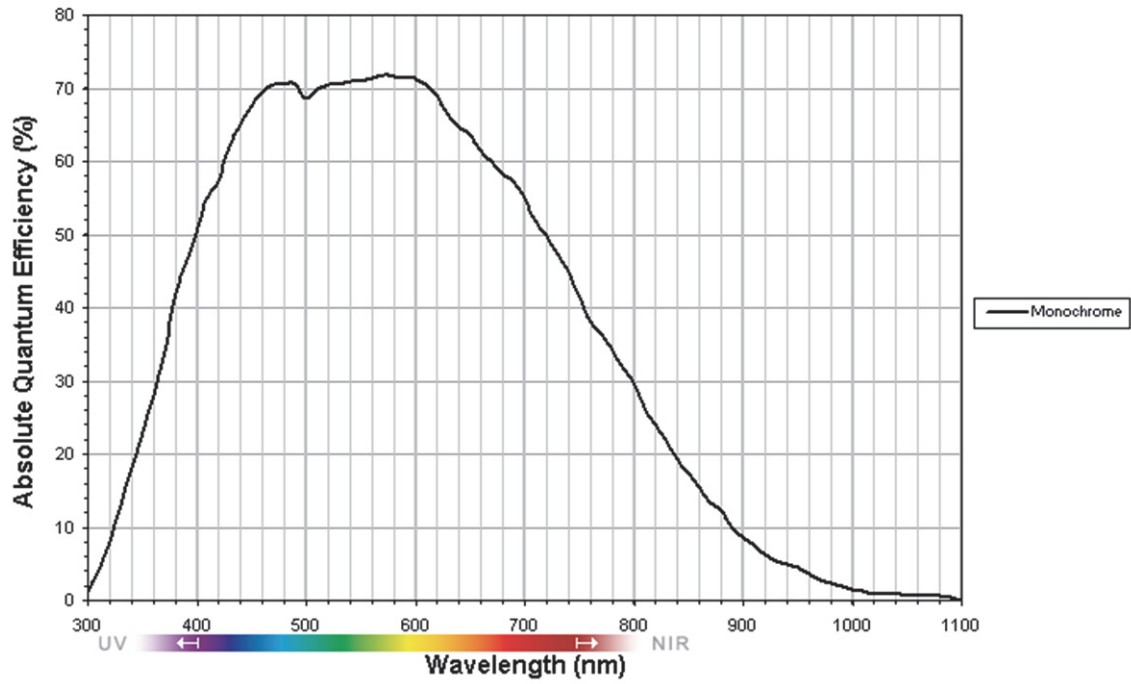


Figure 3: Spectral sensitivity of Bigeye P-132B NIR Cool

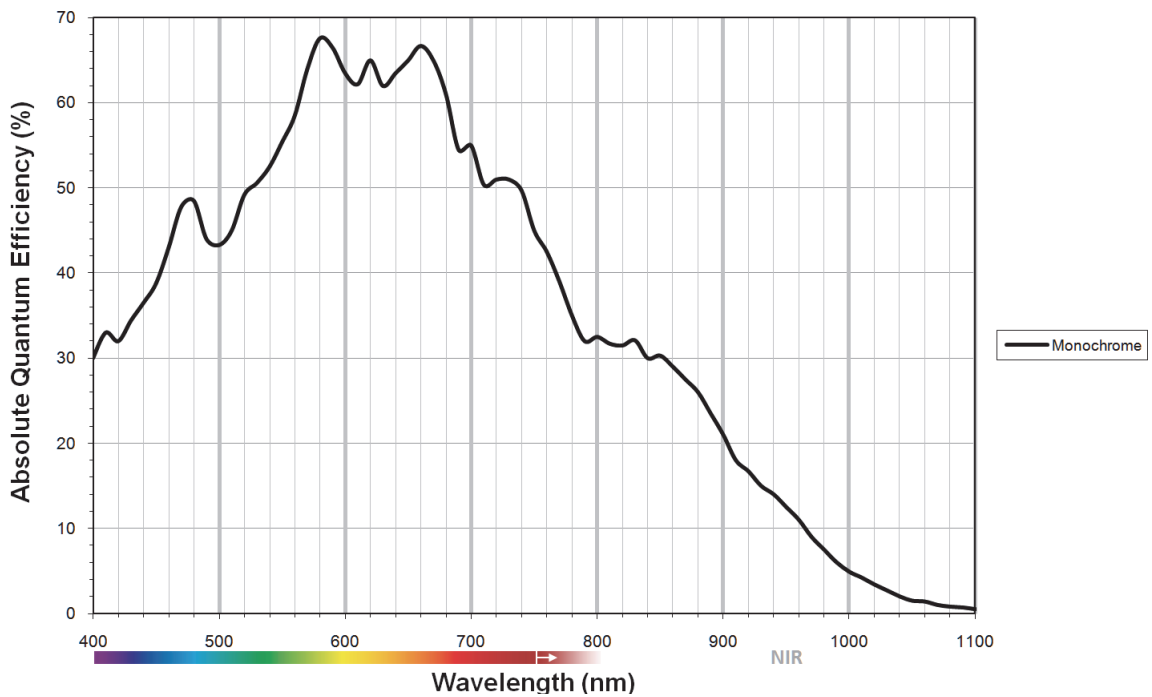


Figure 4: Spectral sensitivity of Bigeye P-629B Cool / P-629B NIR Cool

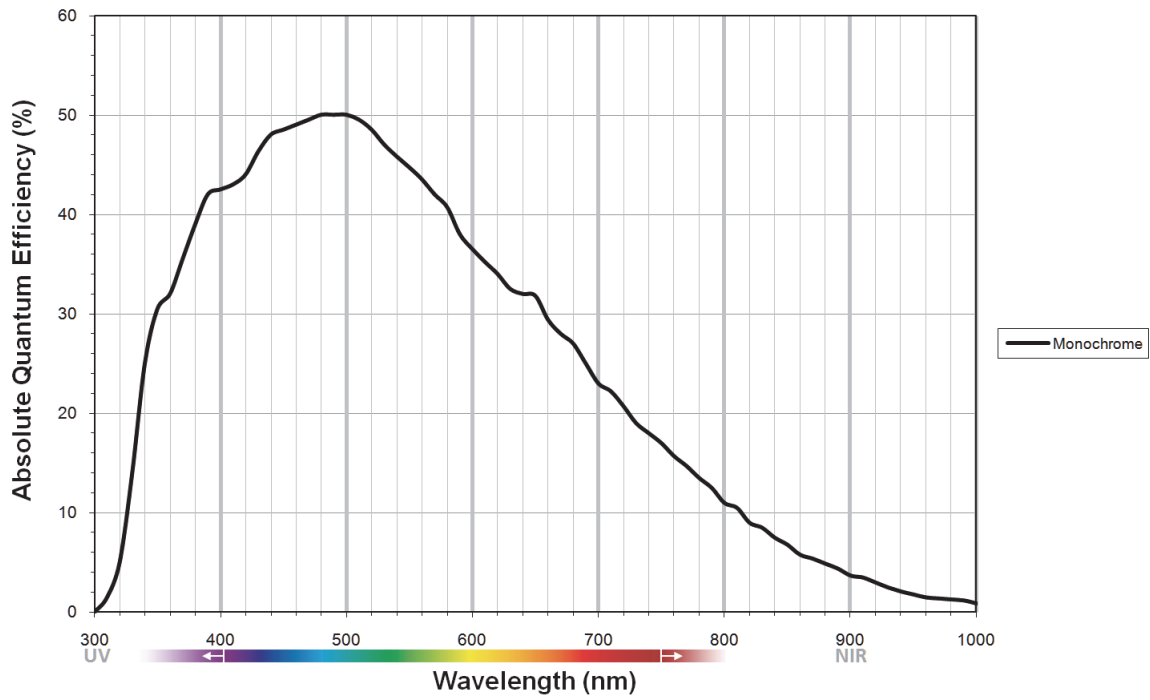


Figure 5: Spectral sensitivity of Bigeye P-1100B Cool

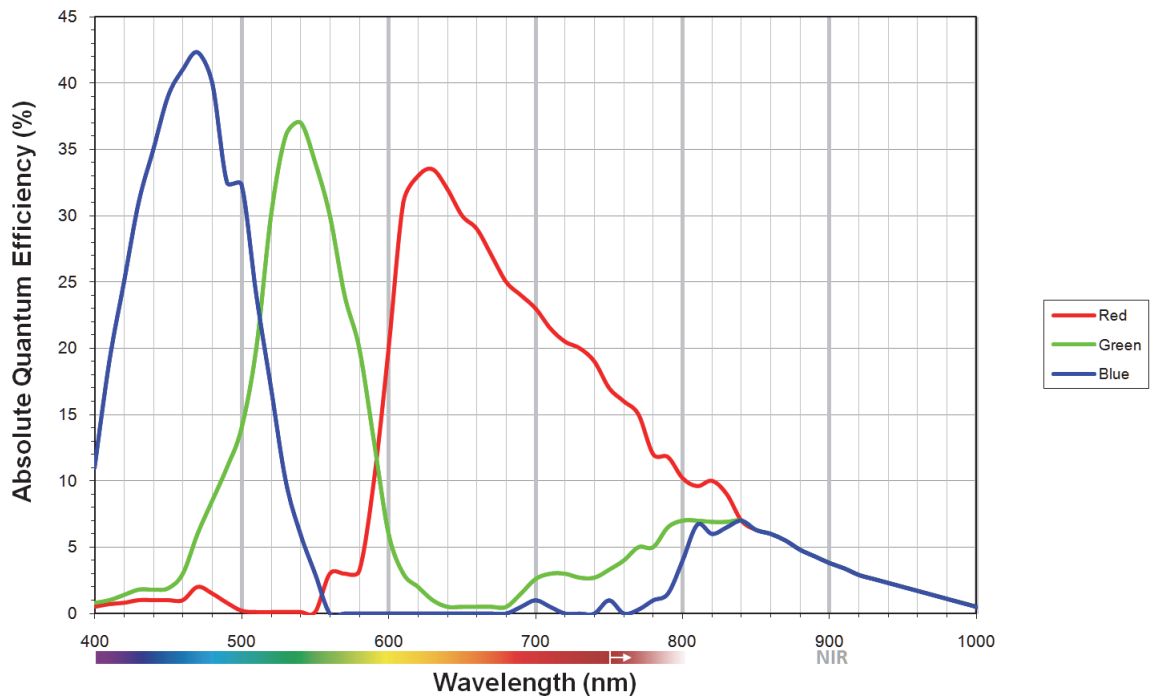


Figure 6: Spectral sensitivity of Bigeye P-1100C Cool

Camera dimensions

Bigeye P-132B

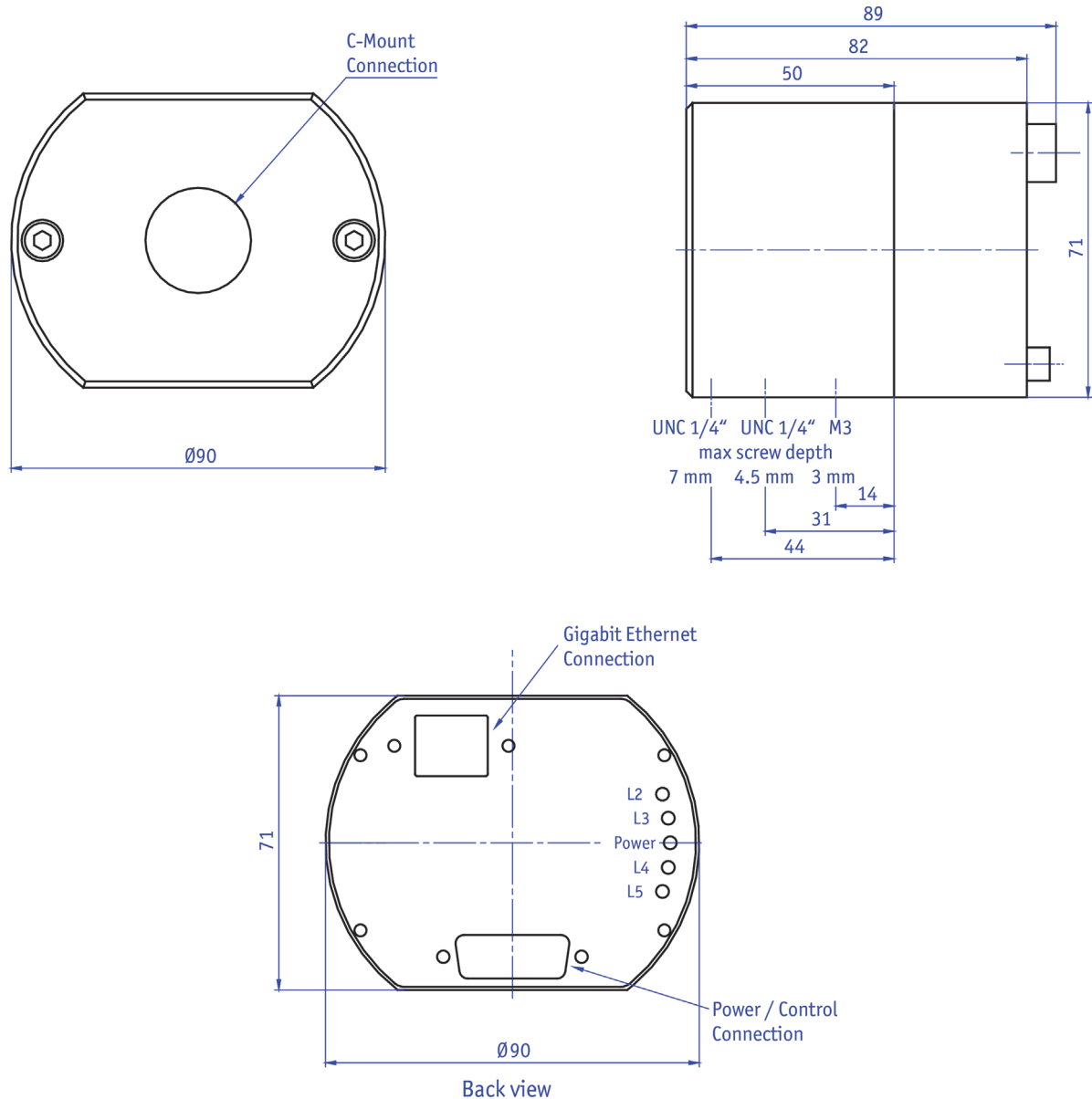


Figure 7: Camera dimensions: Bigeye P-132B (front/side/back)

LED	Color	Description
L2	Red	Camera is operational
L3	Red	Image-on-demand mode
Power	Green	Power indicator
L4	Red	Exposure input activity
L5	Red	Frame output activity

Table 7: Description of LEDs: Bigeye P-132B

Bigeye P-132B/C Cool and P-132B NIR Cool

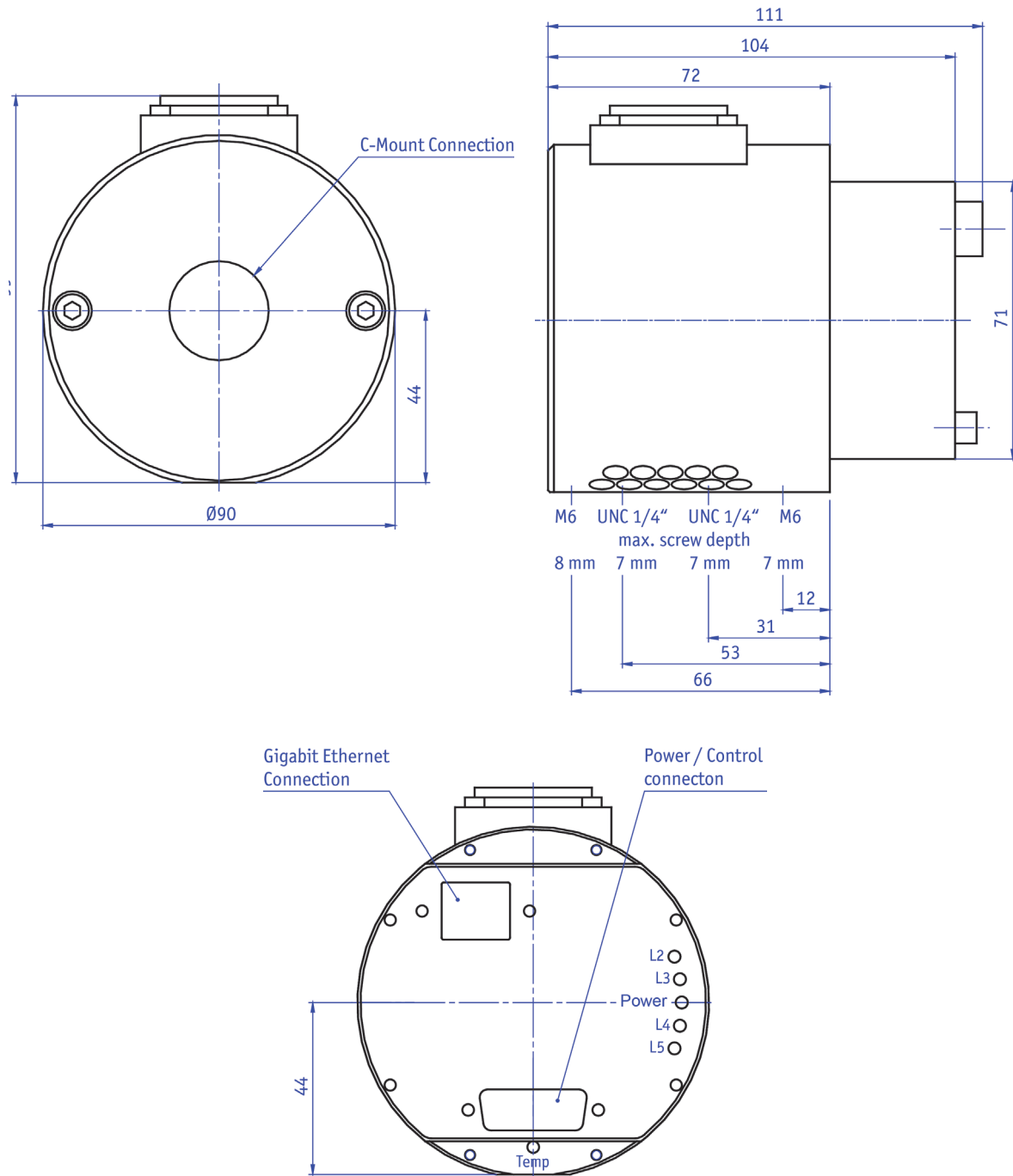


Figure 8: Camera dimensions: Bigeye P-132B/C Cool and P-132B NIR Cool (front/side/back)

LED	Color	Description
L2	Red	Camera is operational
L3	Red	Temperature state (same function as Temp LED)
Power	Green	Power indicator
L4	Red	Exposure input activity
L5	Red	Frame output activity
Temp	Red	Indicates that cooling temperature has not reached approx. -20 °C. If this LED is permanently lit during operation, the temperature of the camera might be too high: Check the ambient temperature and ensure unhindered air flow.

Table 8: Description of LEDs: Bigeye P-132B/C Cool and P-132B NIR Cool

Bigeye P-629B Cool / NIR Cool

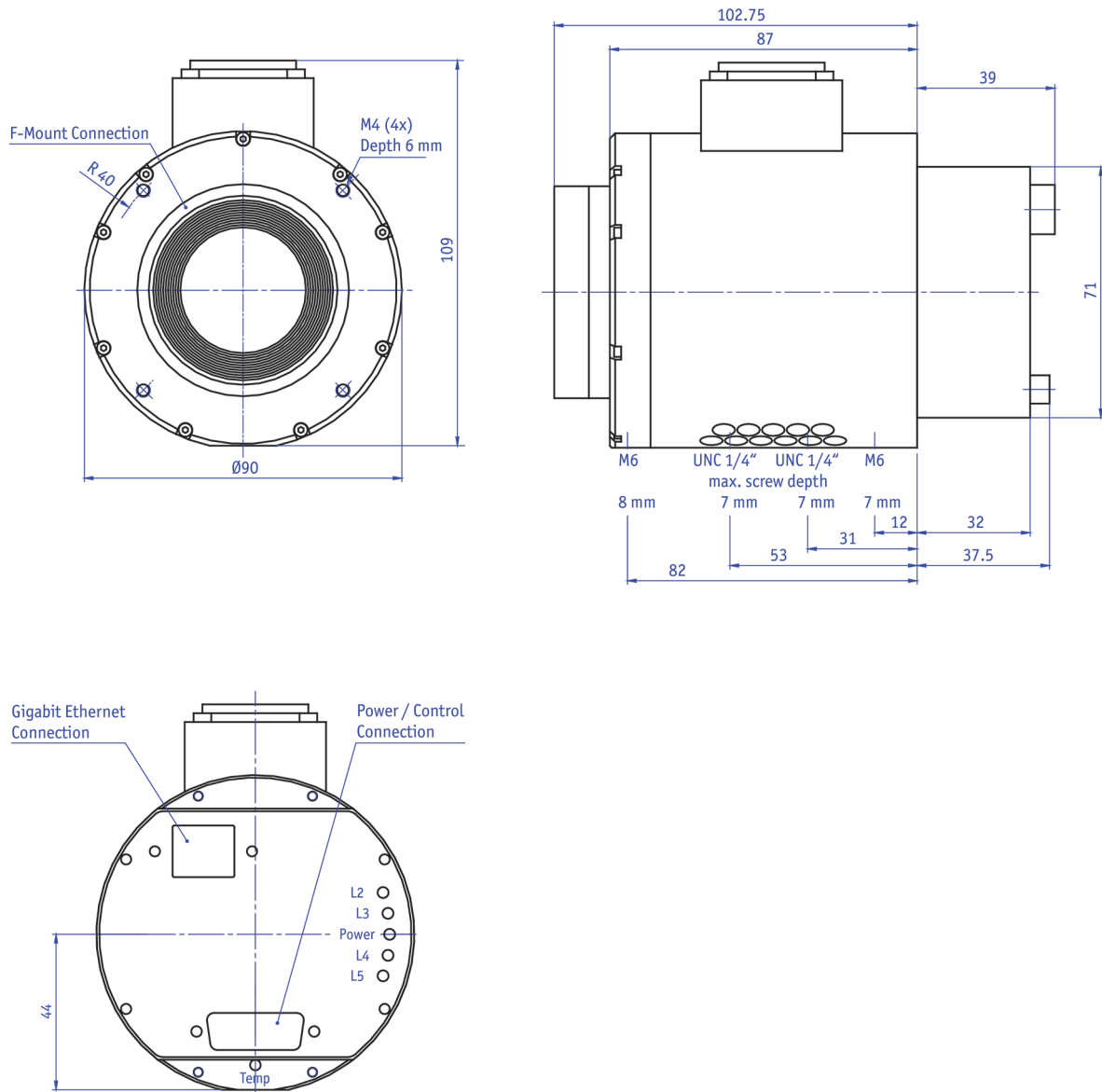


Figure 9: Camera dimensions: Bigeye P-629B Cool / NIR Cool (front/side/back)

LED	Color	Description
L2	Red	Camera is operational
L3	Red	Temperature state (same function as Temp LED)
Power	Green	Power indicator
L4	Red	Exposure input activity
L5	Red	Frame output activity
Temp	Red	Indicates that cooling temperature has not reached approx. +5 °C. If this LED is permanently lit during operation, the temperature of the camera might be too high: Check the ambient temperature and ensure unhindered air flow.

Table 9: Description of LEDs: Bigeye P-629B Cool and Bigeye P-629B NIR Cool

Bigeye P-1100B/C Cool

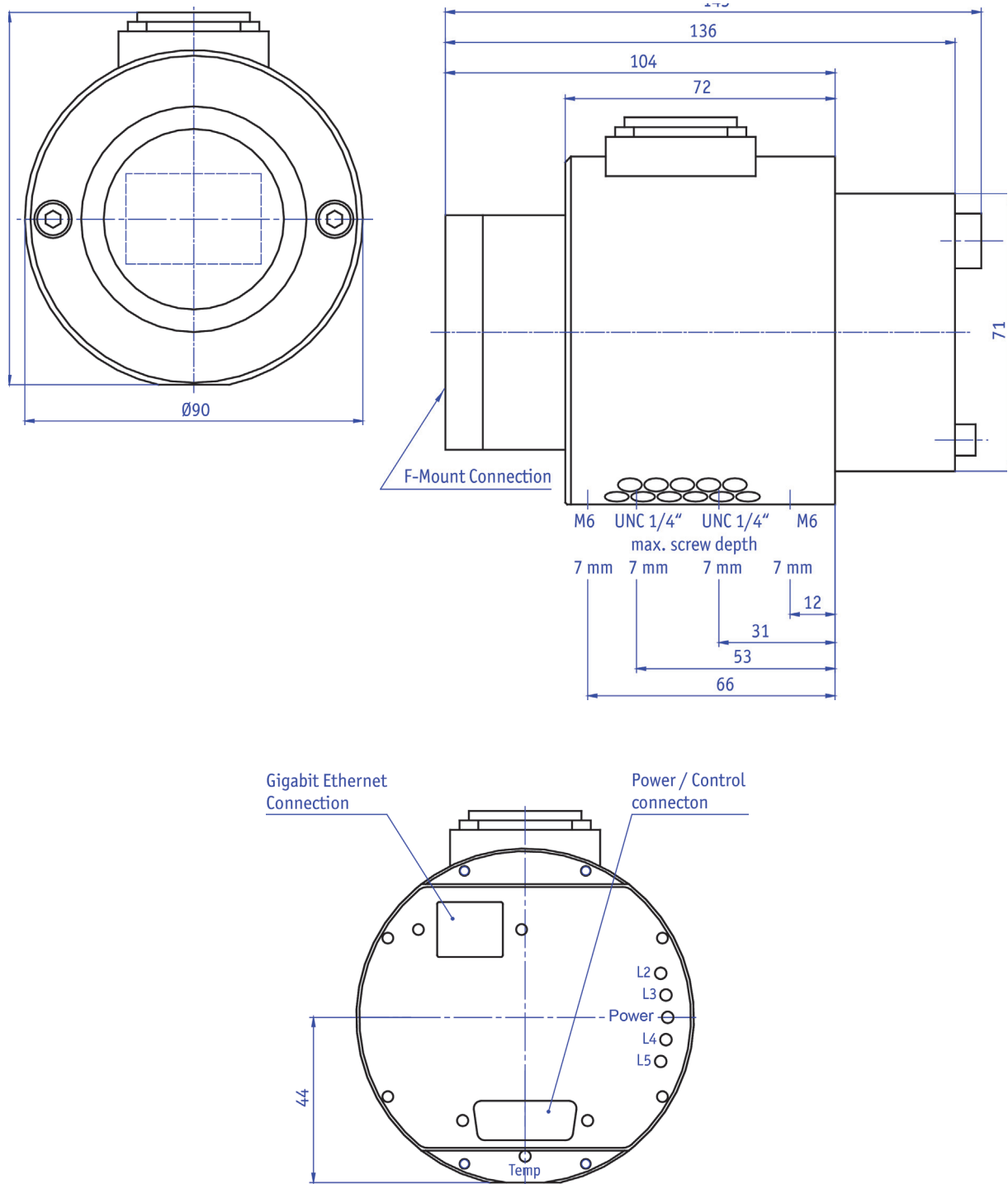


Figure 10: Camera dimensions: Bigeye P-1100B/C Cool (front/side/back)

LED	Color	Description
L2	Red	Camera is operational
L3	Red	Image-on-demand mode
Power	Green	Power indicator
L4	Red	Exposure input activity
L5	Red	Frame output activity
Temp	Red	Indicates that cooling temperature has not reached approx. 0 °C. If this LED is permanently lit during operation, the temperature of the camera might be too high: Check the ambient temperature and ensure unhindered air flow.

Table 10: Description of LEDs: Bigeye P-1100B/C Cool

Camera interfaces

This chapter gives you information on the control functions, inputs and outputs, and trigger features.

www

For accessories such as cables see:



<http://www.alliedvisiontec.com/emea/products/accessories/gige-accessories.html>

Control junction

Camera I/O connector pin assignment (15-pin D-sub connector)

This connector is intended for the power supply as well as for controlling the camera by the user.

Bigeye P-132B / P-132B Cool / P-132B NIR Cool

Pin	Signal	Direction	Level	Description
1	External Power		+12 V DC	Power supply P-132B NIR Cool: max. 0.85 A P-132B Cool : max. 2.8 A P-132 NIR Cool: max. 2.8 A
2				
3	External GND		GND	External Ground
4				
5	---			Reserved
6	---			Reserved
7	RXD	In	RS232	Serial control
8	TXD	Out	RS232	Serial control
9	Mode input	+	12V, 20 mA max.	Internal pull-up resistor
10	Trigger input	-	12V, 20 mA max.	Optocoupler input
11		+		
12	Exposure output	-	12V, 20 mA max.	Optocoupler output
13		+		

Table 11: Camera I/O connector pin assignment (Bigeye P-132B/Cool/NIR Cool)

Pin	Signal	Direction	Level	Description
14	Line-sync output	Out	5 V (at no load)	Active low
15	Frame-sync output	Out	5 V (at no load)	Active low

Table 11: Camera I/O connector pin assignment (Bigeye P-132B/Cool/NIR Cool)

Bigeye P-629B Cool/NIR Cool

Pin	Signal	Direction	Level	Description
1	External Power		+12 V DC	Power supply max. 2.8 A
2				
3	External GND		GND	External Ground
4				
5	---			Reserved
6	---			Reserved
7	RXD	In	RS232	Serial control
8	TXD	Out	RS232	Serial control
9	Mode input	+	12 V, 20 mA max.	Internal pull-up resistor
10	Trigger input	-	12 V, 20 mA max.	Optocoupler input
11		+		
12	Exposure output	-	12 V, 20 mA max.	Optocoupler output
13		+		
14	Line-sync output	Out	5 V (at no load)	Active low
15	Frame-sync output	Out	5 V (at no load)	Active low

Table 12: Camera I/O connector pin assignment (Bigeye P-629B Cool/NIR Cool)

Bigeye P-1100B Cool / P-1100C Cool

Pin	Signal	Direction	Level	Description
1	External Power		+12 V DC	Power supply max. 3.0 A
2				
3	External GND		GND	External Ground
4				

Table 13: Camera I/O connector pin assignment (Bigeye P-1100B/C Cool)

Pin	Signal	Direction	Level	Description
5	---			Reserved
6	---			Reserved
7	RXD	In	RS232	Serial control
8	TXD	Out	RS232	Serial control
9	Mode input	+	12V, 20 mA max.	Internal pull-up resistor
10	Trigger input	-	12V, 20 mA max.	Optocoupler input
11		+		
12	Exposure output	-	12V, 20 mA max.	Optocoupler output
13		+		
14	Line-sync output	Out	5 V (at no load)	Active low
15	Frame-sync output	Out	5 V (at no load)	Active low

Table 13: Camera I/O connector pin assignment (Bigeye P-1100B/C Cool)

Power supply (pin 1-4)

Bigeye P-132B/C (NIR) Cool

The camera requires 12 V +5% at a current capacity of maximum 2.8 A.

After attaining the end cooling temperature (-20 °C) the current capacity goes down to approx. 1.1 - 1.5 A. The exact value also depends on the ambient temperature of the camera.

Bigeye P-629B/C (NIR) Cool

The camera requires 12 V +5% at a current capacity of maximum 2.8 A.

After attaining the end cooling temperature (+5 °C) the current capacity goes down to approx. 0.8 - 1.2 A. The exact value also depends on the ambient temperature of the camera.

Bigeye P-1100B/C Cool

The camera requires 12 V +5% at a current capacity of maximum 3.0 A.

After attaining the end cooling temperature (0 °C) the current capacity goes down to approx. 1.2 - 1.6 A. The exact value also depends on the ambient temperature of the camera.

Mode input (pin 9)

The mode input provides a method for switching the camera between different exposure control modes using an externally applied signal.

The individual function depends on the camera variant. The GigE Vision feature AcquisitionControl/TriggerMode can be used to switch the mode via software.

Note For more information see Chapter *Mode setting* on page 42.



The active state (externally *low* or TriggerMode = *On*) is dominant, thus image-on-demand mode is active, if one of either settings is.

Bigeye P-132

The mode input switches between the continuous free-running operation with fixed 80 ms exposure time on the one hand and the image-on-demand mode (IOD) on the other hand.

For long-term exposures the image-on-demand mode (IOD mode) generally has to be activated. As a cooling of the sensor is only advantageous at longer exposure times, the cooling is generally only activated in the IOD mode. In the continuous mode the cooling is switched off. This feature allows to reduce the power consumption of the camera during standby. After re-enabling the IOD mode a cooling time of approx. 4 – 5 minutes is needed.

Input pin 9: open (or TTL high) ⇨ continuous operation (cooling off)
 GND (or TTL low) ⇨ image-on-demand (cooling active)

Bigeye P-629

This camera variant is always in image-on-demand mode and does not support continuous mode. Instead, this signal controls the behavior of the mechanical shutter.

The shutter is automatically closed during the read-out of the sensor, in order that no smear will take place. If a pulsed light source is used, the shutter needs not to be closed. This can be forced by the corresponding mode setting.

Input pin 9: open (or TTL high) ⇨ shutter permanently open
 GND (or TTL low) ⇨ shutter closed during image output

Bigeye P-1100

The mode input switches between the continuous free-running operation with fixed 635 ms exposure time on the one hand and the image-on-demand mode (IOD mode) on the other hand.

For long-term exposures the image-on-demand mode (IOD mode) generally has to be activated. As a cooling of the sensor is only advantageous at longer exposure times, the cooling is generally only activated in the IOD mode. In the continuous mode the cooling is switched off. This feature allows to reduce the power consumption of the camera during standby. After re-enabling the IOD mode a cooling time of approx. 4 – 5 minutes is needed.

After switching to image-on-demand mode a break of at least 635 ms has to occur before the first image exposure can take place.

Input pin 9: open (or TTL high) ⇨ continuous operation (cooling off)

GND (or TTL low) ⇒ image-on-demand (cooling active)

Trigger input (pin 10, 11)

This input allows control of the electronic or electromechanical shutter by an externally applied signal. It is necessary to switch the camera into image-on-demand mode to enable direct exposure control.

Note For more information on image-on-demand mode: see Chapter [Mode setting](#) on page 42.



The signal is level-sensitive, thus the HIGH duration directly dictates the exposure time of the camera.

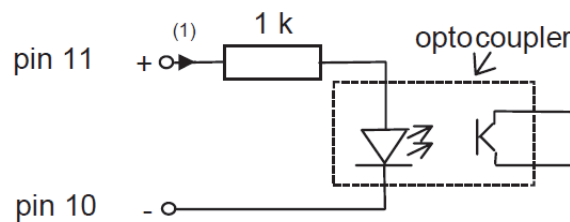


Figure 11: Trigger input diagram

The current through the optocoupler (1) should be greater than 1 mA and not exceed 20 mA:

5 - 2V (HIGH)	Active exposure (only valid during IOD mode)
< 0.8 V (LOW)	Inactive (falling edge starts frame output)

Exposure output (pin 12, 13)

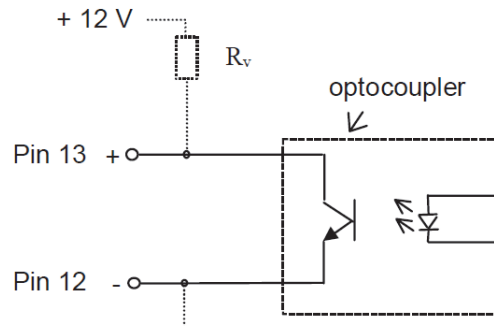


Figure 12: Exposure output

Caution



The current that flows through the optocoupler should not exceed 20 mA (at 12 V, resistance of the optocoupler: $R_v \geq 600 \Omega$).

Bigeye P-132 The exposure output indicates the active exposure time of the sensor.

Usage: synchronize an external strobe light source.

At the end of the exposure this output stays active approx. 76 μ s (1 line) longer than the real exposure. The active exposure is indicated in the image-on-demand operation also by the LED **L4** on the backside of the camera. For using the exposure output an external resistor **R_v** according to the drawing has to be applied.

After the end of image exposure the 1024 active lines of the image are transmitted. This image output is displayed by LED **L5** at the backside of the camera.

Bigeye P-629 The exposure output indicates the active exposure time of the sensor.

Usage: synchronize an external strobe light source.

At the end of the exposure this output stays active approx. 658 μ s (1 line) longer than the real exposure. The active exposure is indicated in the image-on-demand operation also by the LED **L4** on the backside of the camera. For using the exposure output an external resistor **R_v** according to the drawing has to be applied.

After the end of image exposure the 2048 active lines of the image are transmitted. This image output is displayed by LED **L5** at the backside of the camera.

Bigeye P-1100 The exposure output indicates the active exposure time of the sensor.

Usage: synchronize an external strobe light source.

At the end of the exposure this output stays active approx. 232 μs (1 line) longer than the real exposure. The active exposure is indicated in the image-on-demand operation also by the LED **L4** on the backside of the camera. For using the exposure output an external resistor **R_v** according to the drawing has to be applied.

After the end of image exposure the 2680 active lines of the image are transmitted. This image output is displayed by LED **L5** at the backside of the camera.

Line-sync output (pin 14)

Bigeye P-132

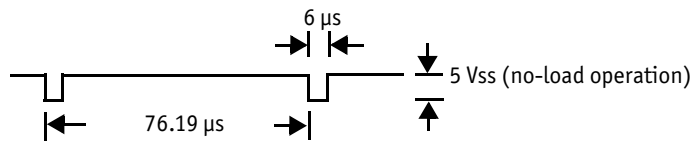


Figure 13: Line-sync output (**Bigeye P-132**)

The line-sync output (active low) supplies approx. 1200 mV at a termination with 75 Ω .

Bigeye P-629

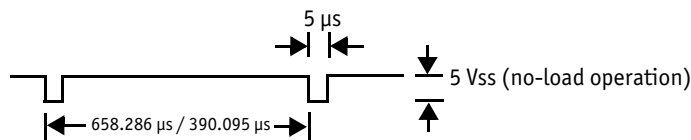


Figure 14: Line-sync output (**Bigeye P-629**)

The line-sync output (active low) supplies approx. 900 mV at a termination with 75 Ω .

Bigeye P-1100

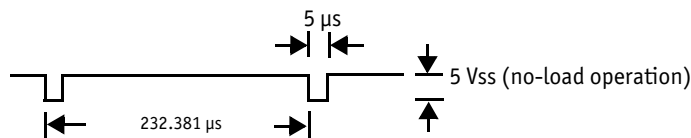


Figure 15: Line-sync output (**Bigeye P-1100**)

The line-sync output (active low) supplies approx. 1200 mV at a termination with 75 Ω .

Frame-sync output (pin 15)

Bigeye P-132 The frame-sync output is only active in continuous operation.

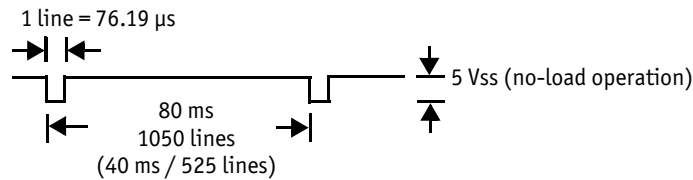


Figure 16: Frame-sync output (**Bigeye P-132**)

The frame-sync output (active low) supplies approx. 1200 mV at a termination with 75 Ω .

Bigeye P-629 The frame-sync output becomes active at the beginning of an image output.

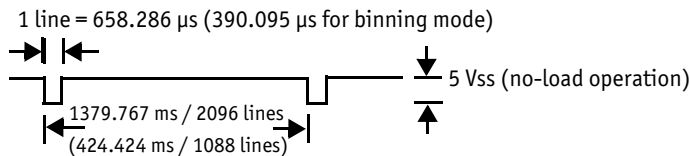


Figure 17: Frame-sync output (**Bigeye P-629**)

The frame-sync-output (active low) supplies approx. 900 mV at a termination with 75 Ω .

Bigeye P-1100 The frame-sync output is only active in continuous operation.

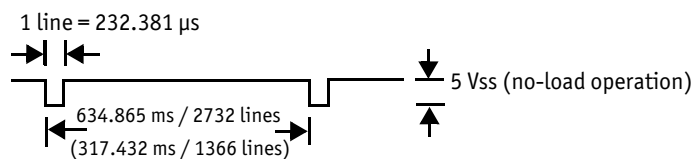


Figure 18: Line-sync output (**Bigeye P-1100**)

The frame-sync-output (active low) supplies approx. 1200 mV at a termination with 75 Ω .

GigE interface

The Bigeye cameras are equipped with a 1000Base-T Ethernet interface. The data connection between camera and PC can be established via a standard patch cable of category 5e or better, using a 1000Base-T compatible Ethernet adapter card.

To control the Bigeye cameras use the Allied Vision AcquireControl software or any GigE Vision V1.2 compliant third-party software package.

Pin assignment of Gigabit Ethernet connector

The **Bigeye P-008/032** cameras are equipped with a 1000Base-T Ethernet interface (RJ-45 connector). The data connection between camera and PC can be established via a standard patch cable of category 5e or better, using a 1000Base-T compatible Ethernet adapter card..

Note For more information see the **Pleora iPORT PT1000-VB Documentation**.

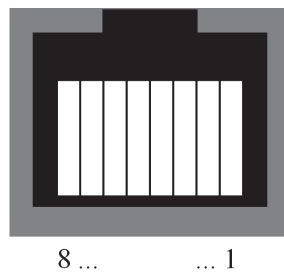


Figure 19: Front view of the Gigabit Ethernet connector

Pin	Signal
1	D1+
2	D1-
3	D2+
4	D3+
5	D3-
6	D2-
7	D4+
8	D4-

Table 14: GigE connector: pin assignment

Exposure control

Exposure time and dark time can be controlled using the features from the branch **AcquisitionControl** of the GigE Vision feature tree.

tbd: More detailed explanation of timing constraints (regarding frame rate and exposure time) of the individual camera models.

AcquisitionControl

Feature	Description
AcquisitionMode	This feature controls the acquisition mode of the software. This feature works independently (!) of the chosen camera mode (Continuous, IOD hardware trigger, IOD hardware timer). It describes how many frames should be acquired.
AcquisitionStart	Starts the image acquisition of the camera.
AcquisitionStop	Stops the image acquisition of the camera.
TriggerMode	Modifies the trigger mode of the camera. When the trigger mode is "Off", the camera will generate frames independently. When the trigger mode is "On" the camera is switched to the so called IOD (image-on-demand) mode. In this mode the camera waits for an external trigger signal or an timer pulse generated internally. To control exposure and dark time trigger mode must be switched to "On".
ExposureMode	Start or stop the internal exposure signal timer.
ExposureTime	This feature is used to set the Exposure time, in μ s.
ExposureTimeAbs	This feature is used to set the Exposure time, in μ s (deprecated).
ExposureTimeAbsMs	This feature is used to set the Exposure time, in ms.
ExposureTimeGranularity	Exposure time granularity.
DarkTime	This feature is used to set the Dark time, in μ s.
DarkTimeAbs	This feature is used to set the Dark time, in μ s (deprecated).
DarkTimeAbsMs	This feature is used to set the Dark time, in ms.
DarkTimeGranularity	Dark time granularity.

Table 15: Camera standard feature: AcquisitionControl

Note


Bigeye P-132, Bigeye P-1100: The TriggerMode feature has to be set to **On** and the timer has to be enabled via ExposureMode in order to control the exposure.

Note


Bigeye P-629: The timer has to be enabled via the ExposureMode feature in order to control the exposure. Set the TriggerMode feature to **On** if the electromechanical shutter operation is needed, otherwise it will stay permanently open.

Beside the internal exposure control capabilities also direct exposure control by an externally applied signal is possible. In this case the ExposureMode has to be configured to **Off** to deactivate the internal timer.

Mode setting

The GigE Vision feature AcquisitionControl/TriggerMode setting provides a method for switching the camera between different exposure control modes. The individual function depends on the camera variant.

The *Mode input (pin 9)* can be used to control this setting using an external signal.

Note For more information see Chapter *Mode input (pin 9)* on page 35.



Note The active state (externally *low* at pin 9 or TriggerMode = **On**) is dominant, thus image-on-demand is active if one of either settings is.



Camera	TriggerMode	Description
Bigeye P-132B	On	Image-on-demand mode. Exposure control via ExposureTime and DarkTime features (ExposureMode = Timed) or externally (ExposureMode = Off).
	Off	Continuous mode with fixed exposure time and frame rate.
Bigeye P-132x Cool	On	Image-on-demand mode. Peltier cooling active. Exposure control via ExposureTime and DarkTime features (ExposureMode = Timed) or externally (ExposureMode = Off).
	Off	Continuous mode with fixed exposure time and frame rate. Peltier cooling inactive (power saving).
Bigeye P-629	On	Image-on-demand mode. Electromechanical shutter enabled. Exposure control via ExposureTime and DarkTime features (ExposureMode = Timed) or externally (ExposureMode = Off).
	Off	Image-on-demand mode. Electromechanical shutter always open. Exposure control via ExposureTime and DarkTime features (ExposureMode = Timed) or externally (ExposureMode = Off).

Table 16: TriggerMode

Camera	TriggerMode	Description
Bigeye P-1100	On	Image-on-demand mode. Peltier cooling active. Exposure control via ExposureTime and DarkTime features (ExposureMode = Timed) or externally (ExposureMode = Off).
	Off	Continuous mode with fixed exposure time and frame rate. Peltier cooling inactive (power saving).

Table 16: TriggerMode

Binning

Each Bigeye camera variant supports one distinct binning configuration (either 1 x 2 or 2 x 2) that can be switched on or off.

This is controlled using the GigE Vision features **BinningVertical** and **BinningHorizontal** from the ImageSizeControl branch of the feature tree.

In the case of 2 x 2 binning the two features are coupled. If either **BinningVertical** or **BinningHorizontal** is changed, the counterpart is automatically changed as well.

ImageSizeControl

Feature	Description
BinningHorizontal	Number of horizontal photo-sensitive cell pixels to combine together. This increases the intensity (or signal-to-noise ratio) of the pixels and reduces the horizontal resolution (width) of the image.
BinningVertical	Number of vertical photo-sensitive cell pixels to combine together. This increases the intensity (or signal-to-noise ratio) of the pixels and reduces the vertical resolution (height) of the image.

Table 17: Camera standard feature: ImageSizeControl

Gain

Use the GigE Vision feature Gain from the feature branch AnalogControls to change the analog gain setting.

Value **1** selects 0 dB gain and Value **2** switches to +6 dB gain.

AnalogControls

Feature	Description
Gain	This feature controls the selected gain as a raw integer value.

Table 18: Camera standard feature: AnalogControls

Appendix

GigE Vision feature description for Bigeye cameras

DeviceInformation

Feature	Description
DeviceModeName	Name of the attached camera model.
DeviceID	Unique 32 bit device ID of the camera model.
DeviceUserID	User ID field. This field can be accessed (R/W) by the user to store an additional device identifier.
DeviceScanType	This feature specifies the scan type of the sensor (Areascan or Linescan).

Table 19: Standard: DeviceInformation

ImageSizeControl

Feature	Description
SensorWidth	Maximum width of the sensor in pixels.
SensorHeight	Maximum height of the sensor in pixels.
WidthMax	This feature represents the maximum width (in pixels) of the image after horizontal binning, decimation or any other function changing the horizontal dimensions of the image.
HeightMax	This feature represents the maximum height (in pixels) of the image after vertical binning, decimation or any other function changing the vertical dimensions of the image.
Width	This feature represents the actual image width expelled by the camera (in pixels).
Height	This feature represents the actual image height expelled by the camera (in pixels).
OffsetX	This feature represents the horizontal offset from the origin to the AOI (in pixels).
OffsetY	This feature represents the vertical offset from the origin to the AOI (in pixels).
BinningHorizontal	Number of horizontal photo-sensitive cells to combine together. This increases the intensity (or signal-to-noise ratio) of the pixels and reduces the horizontal resolution (width) of the image.
BinningVertical	Number of vertical photo-sensitive cells to combine together. This increases the intensity (or signal-to-noise ratio) of the pixels and reduces the vertical resolution (height) of the image.
DecimationHorizontal	Not applicable
DecimationVertical	Not applicable
PixelFormat	List with all available pixel formats of the camera, e.g. MONO12.
TestImageSelector	Enables or disables the internal test image generator of the camera.

Table 20: Camera standard feature: ImageSizeControl

AcquisitionControl

Feature	Description
AcquisitionMode	This feature controls the acquisition mode of the software. This feature works independently (!) of the chosen camera mode (Continuous, IOD hardware trigger, IOD hardware timer). It describes how many frames should be acquired.
AcquisitionStart	Starts the image acquisition of the camera.
AcquisitionStop	Stops the image acquisition of the camera.
TriggerMode	Modifies the trigger mode of the camera. When the trigger mode is "Off", the camera will generate frames independently. When the trigger mode is "On" the camera is switched to the so called IOD (image-on-demand) mode. In this mode the camera waits for an external trigger signal or a timer pulse generated internally. To control exposure and dark time, trigger mode must be switched to "On".
ExposureMode	Start or stop the internal exposure signal timer.
ExposureTime	This feature is used to set the Exposure time, in μs .
ExposureTimeAbs	This feature is used to set the Exposure time, in μs (deprecated).
ExposureTimeAbsMs	This feature is used to set the Exposure time, in ms.
ExposureTimeGranularity	Exposure time granularity.
DarkTime	This feature is used to set the Dark time, in μs .
DarkTimeAbs	This feature is used to set the Dark time, in μs (deprecated).
DarkTimeAbsMs	This feature is used to set the Dark time, in ms.
DarkTimeGranularity	Dark time granularity.

Table 21: Camera standard feature: AcquisitionControl

AnalogControls

Feature	Description
Gain	This feature controls the selected gain as a raw integer value.

Table 22: Camera standard feature: AnalogControls

CameraSpecialFeatures

This feature is not available for Bigeye P-1100B/C Cool and Bigeye P-132B.

Feature	Description
CameraTemperatureState	Camera temperature state. 0 = The camera temperature is OK. 1 = The camera temperature is outside the optimum range.
CameraTemperatureStateReg	Camera temperature state register.
QueryCameraTemperatureState	Query camera temperature state.

Table 23: Camera special feature: Camera temperature

CameraSpecialFeatures\BackgroundCorrection

This feature is available for all Bigeye models.

Feature	Description
BGC_OperationMode	Operation mode of the background correction. (U = <value> command) While reading this feature the MSB shows the state of the integration process. (0 = Idle, 1 = Busy)
BGC_OffsetValue	Offset value for the background correction. (M = <value> command)

Table 24: Camera special feature: BackgroundCorrection

Feature	Description
BGC_StartIntegration_1	Save the next frame as background image (l = 0 command).
BGC_StartIntegration_4	Integrate the next 4 frames and store the result as background image (l = 1 command).

Table 25: Camera special feature: BackgroundCorrection

Index

A

AcquisitionControl..... 40, 41, 47
 AnalogControls 47

B

BGC_OffsetValue 48
 BGC_OperationMode 48
 BGC_StartIntegration_1 48
 BGC_StartIntegration_4 48
 Binning 43
 BinningHorizontal..... 46
 BinningVertical 46

C

camera dimensions24, 26, 28, 30
 camera interfaces 32
 CameraSpecialFeatures 48
 CameraTemperatureState 48
 CameraTemperatureStateReg 48
 CE..... 12
 Conformity 12
 Contacting 5
 Control junction 32

D

declaration of conformity..... 12
 DeviceInformation 45
 document history 7

E

Exposure control 40
 Exposure output.....32, 33, 34, 37
 External GND 32, 33, 34
 External Power 32, 33

F

Frame-sync output..... 33, 34, 39

G

Gain..... 43, 44, 47

Gigabit Ethernet connector..... 40
 GigE connector pin assignment 40
 GigE interface 39
 GigE Vision
 feature description..... 45

I

ImageSizeControl..... 43, 46
 I/O connector 32

L

Legal notice 2
 Line-sync output33, 34, 38

M

Mode input..... 35
 Mode input (pin 9)..... 42
 Mode setting 42

P

Pin assignment
 Gigabit Ethernet connector 40
 PoE..... 7
 Power supply 34

Q

QueryCameraTemperatureState 48

R

RJ-45 40

S

Specifications
 Bigeye P-1100B/C Cool 19
 Bigeye P-132B..... 13
 Bigeye P-132B NIR Cool..... 15
 Bigeye P-132B/C Cool 15
 Bigeye P-629B Cool 17
 Bigeye P-629B NIR Cool..... 17
 specifications 13

Spectral sensitivity.....	21
Bigeye P-1100B Cool.....	23
Bigeye P-1100C Cool.....	23
Bigeye P-132B.....	21
Bigeye P-132B Cool.....	21
Bigeye P-132B NIR Cool.....	22
Bigeye P-132C.....	21
Bigeye P-132C Cool.....	21
Bigeye P-629B Cool.....	22
Bigeye P-629B NIR Cool.....	22
styles.....	10
Support.....	5
symbols.....	10

T

Technical information.....	5
Trigger input.....	32, 33, 34, 36
TriggerMode.....	42