



Technical Manual

LWIR cameras with GigE interface

V2.4.0

2014-Nov-03

Legal notice

Life support applications

These products are not designed for use in life support appliances, devices, or systems where malfunction of these products can reasonably be expected to result in personal injury. Allied Vision Technologies customers using or selling these products for use in such applications do so at their own risk and agree to fully indemnify Allied Vision Technologies for any damages resulting from such improper use or sale.

Trademarks

Unless stated otherwise, all trademarks appearing in this document of Allied Vision Technologies are brands protected by law.

Warranty

The information provided by Allied Vision Technologies is supplied without any guarantees or warranty whatsoever, be it specific or implicit. Also excluded are all implicit warranties concerning the negotiability, the suitability for specific applications or the non-breaking of laws and patents. Even if we assume that the information supplied to us is accurate, errors and inaccuracy may still occur.

Copyright

All texts, pictures and graphics are protected by copyright and other laws protecting intellectual property. It is not permitted to copy or modify them for trade use or transfer, nor may they be used on websites.

Allied Vision Technologies GmbH 10/2014

All rights reserved.

Managing Director: Mr. Frank Grube

Tax ID: DE 184383113

Headquarters:

Taschenweg 2a

D-07646 Stadtroda, Germany

Tel: +49 (0)36428 6770

Fax: +49 (0)36428 677-28

e-mail: info@alliedvisiontec.com

Contents

Contacting Allied Vision Technologies	5
Introduction	6
Document history	6
Manual overview	8
Conventions used in this manual	9
Styles	9
Symbols	10
Before operation	10
Safety warnings	11
Conformity	12
CE	12
Specifications	13
Pearleye P-007 LWIR / P-007 LWIR High Temp	13
Pearleye P-030 LWIR	16
Spectral transmission	19
Camera dimensions	20
Pearleye P-007 LWIR / Pearleye P-030 LWIR	20
Start-up	22
Camera control commands	22
Adjust the image processing	24
Camera interfaces	25
Control connector	25
Camera I/O connector pin assignment (15-pin D-sub connector)	25
Power supply (pin 1-4)	26
Serial interface (pin 7, 8)	26
Trigger input (Reset) (pin 10, 11)	26
Sensor temperature too low (pin 12, 13)	27
Sensor temperature too high (pin 14)	28
Frame-sync output (pin 15)	28
Conversion of image data to temperature data	29
Consideration of the emission ratio	31
GigE interface	33
Pin assignment of the Gigabit Ethernet connector	33
Image processing	34
Image processing chain	34
Two-point correction	35

Background correction.....	35
Bad pixel correction	35
Drift compensation	35
Look-up table (LUT)	35
Correction data	36
Correction sets	36
File system.....	36
Short introduction: Two-point correction (A, B, E, J, K, N).....	37
Basic parameters and commands	39
Select a correction data set (S)	39
Automatic calibration (k).....	40
Electromechanical shutter (I)	43
Temperature warning (T)	43
Software version and correction data information (V)	44
Current parameter settings (Y)	44
Show help text (?)	45
Advanced parameters and commands	46
Two-point correction (A, B, E, J, K, N)	46
Background correction (U, M).....	51
Bad pixel correction (C, F).....	54
Temperature drift compensation (m, n, o, p).....	55
Look-up table (LUT) (D, G)	56
Integrator and image store (H)	57
Baud rate (s)	59
Save parameters in flash (X)	61
Upload a file to flash (Q).....	61
Appendix	65
Command reference	65
GigE Vision feature mapping to serial commands	77
GigE Vision feature description for Pearleye cameras	78
DeviceInformation	78
ImageSizeControl	79
AcquisitionControl	79
CameraSpecialFeatures	80
CameraSpecialFeatures\TwoPointCorrection.....	81
CameraSpecialFeatures\BackgroundCorrection	81
CameraSpecialFeatures\LUT.....	81
CameraSpecialFeatures\IntegratorAndImageStore	82
CameraSpecialFeatures\BadPixelCorrection	82
Index.....	83

Contacting Allied Vision Technologies

Info



- **Technical information:**
<http://www.alliedvisiontec.com>
- **Support:**
support@alliedvisiontec.com

Allied Vision Technologies GmbH (Headquarters)

Taschenweg 2a
07646 Stadtroda, Germany
Tel: +49 36428-677-0
Fax: +49 36428-677-28
e-mail: info@alliedvisiontec.com

Allied Vision Technologies Canada Inc.

101-3750 North Fraser Way
Burnaby, BC, V5J 5E9, Canada
Tel: +1 604-875-8855
Fax: +1 604-875-8856
e-mail: info@alliedvisiontec.com

Allied Vision Technologies Inc.

38 Washington Street
Newburyport, MA 01950, USA
Tel: +1 978-225-2030
Fax: +1 978-225-2029
e-mail: info@alliedvisiontec.com

Allied Vision Technologies Asia Pte. Ltd.

82 Playfair Road
#07-02 D'Lithium
Singapore 368001
Tel: +65 6634-9027
Fax: +65 6634-902
e-mail: info@alliedvisiontec.com

Allied Vision Technologies (Shanghai) Co., Ltd.

2-2109 Hongwell International Plaza
1602# ZhongShanXi Road
Shanghai 200235, China
Tel: +86 (21) 64861133
Fax: +86 (21) 54233670
e-mail: info@alliedvisiontec.com

Introduction

This **Pearleye Technical Manual** describes in depth the technical specifications, dimensions, all pixel formats, image processing, basic and advanced parameters and related subjects.

Note



Please read through this manual carefully.

We assume that you have read already the **How to install a GigE camera (Bigeye/Pearleye/Goldeye)** and that you have installed the hardware and software on your PC or laptop (GigE interface card, cables etc.).

<http://www.alliedvisiontec.com/emea/support/downloads/product-literature>

Document history

Version	Date	Description
V2.0.0	03.11.11	New Pearleye Technical Manual
V2.1.0	23.01.12	<p>Corrections Chapter Specifications on page 13:</p> <ul style="list-style-type: none"> • Added focus range in Chapter Pearleye P-007 LWIR / P-007 LWIR High Temp on page 13 • Deleted Mono8 in Chapter Pearleye P-007 LWIR / P-007 LWIR High Temp on page 13 • Added Sensitivity (NETD) for HIGH Temp version in Chapter Pearleye P-007 LWIR / P-007 LWIR High Temp on page 13 • Added more lens options incl. FOV in Chapter Pearleye P-007 LWIR / P-007 LWIR High Temp on page 13 • Changed FPA name from 03 08 1 to 04 17 1 in Chapter Pearleye P-030 LWIR on page 16 • Deleted Mono8, Mono10, Mono12 in Chapter Pearleye P-030 LWIR on page 16 • Changed sensitivity from 120 to 80 in Chapter Pearleye P-030 LWIR on page 16 • Changed mass from 790 g to 760 g Chapter Pearleye P-030 LWIR on page 16 • Added more lens options incl. FOV in Chapter Pearleye P-030 LWIR on page 16
to be continued on next page		

Table 1: Document history

Version	Date	Description
continued from previous page		
V2.1.0 [continued]	23.01.12 [continued]	Some smaller corrections: <ul style="list-style-type: none"> • Inserted different temperatures for Pearleye P-030 LWIR and Pearleye P-007 LWIR) in Chapter Sensor temperature too low (pin 12, 13) on page 27 • Inserted values for High Temp version in Chapter Conversion of image data to temperature data on page 29 • Emissivity correction in Formula 1: Emissivity correction on page 31 • File numbers 128-129 instead of 128 in Chapter Upload a file to flash (Q) on page 61
V2.1.1	27.01.12	Some minor corrections: <ul style="list-style-type: none"> • Corrected lens f stop values of Pearleye P-007 LWIR /P-007 LWIR High Temp in Table 3: Specification Pearleye P-007 LWIR / P-007 LWIR High Temp on page 13 • Added note, that cameras are only available with integrated lens: see <ul style="list-style-type: none"> – Table 3: Specification Pearleye P-007 LWIR / P-007 LWIR High Temp on page 13 – Table 4: Specification Pearleye P-030 LWIR on page 16
2.2.0	02 May 2012	<ul style="list-style-type: none"> • Added <i>ring, line</i> in all specifications tables at description of smart features: <i>analyze multiple regions (rectangular, circle, ring, line) within image</i>: see Chapter Specifications on page 13 • Updated <i>Transmission curves</i> (legend contains <i>Transmission</i>): see Chapter Spectral transmission on page 19 • Corrected: All models are equipped with multiple correction data sets. <ul style="list-style-type: none"> – Chapter Adjust the image processing on page 24 – Chapter Select a correction data set (S) on page 39 • Added description for <i>heating up the camera</i> in Chapter Sensor temperature too low (pin 12, 13) on page 27 • More precise description: camera <i>housing</i> temperature instead of camera temperature in Chapter Sensor temperature too high (pin 14) on page 28 • Added cross-reference to <i>emission ratio</i> in Chapter Correction data on page 36 • Added cross-reference to correction data set in Chapter Correction sets on page 36
to be continued on next page		

Table 1: Document history

Version	Date	Description
continued from previous page		
V2.2.0 [continued]	02 May 2012 [continued]	<ul style="list-style-type: none"> Added limited life time of electromechanical shutter: <i>1 million control cycles</i>: see Chapter Electromechanical shutter (I) on page 43 Reworked Chapter Temperature warning (T) on page 43 Reworked <i>Note</i> about command reference in Chapter Show help text (?) on page 64 Reworked text and added diagram in Chapter Two-point correction (A, B, E, J, K, N) on page 46
V2.3.0	2013-July-09	<ul style="list-style-type: none"> Updated Advanced Parameters Updated RoHS (2002/95/EC) to RoHS (2011/65/EU) Updated Specifications -> Power requirements (inrush current) Added „Surge“ warning Corrections derived from terminology alignment Change of font, necessary due to changes in typeface
V2.4.0	2014-Nov-03	<ul style="list-style-type: none"> Updated to new brand name and new brand logo

Table 1: Document history

Manual overview

This **manual overview** outlines the contents of each chapter of this manual.

- Chapter [Contacting Allied Vision Technologies](#) on page 5 lists Allied Vision contact data (phone numbers and URLs) for both:
 - Technical information / ordering
 - Commercial information
- Chapter [Introduction](#) on page 6 (this chapter) gives you the document history, a manual overview (short description of each chapter) and conventions used in this manual (styles and symbols). Furthermore, you learn how to get more information on **how to install hardware**, available **Allied Vision software** (incl. documentation) and where to get it.
- Chapter [Conformity](#) on page 12 gives you information about conformity of Allied Vision cameras (CE, FCC, RoHS).
- Chapter [Specifications](#) on page 13 lists camera details and measured spectral transmission diagrams for each camera type.
- Chapter [Camera dimensions](#) on page 20 provides CAD drawings of standard housing models (2D drawings), tripod adapter and cross sections of the mounts.
- Chapter [Start-up](#) on page 22 describes the first steps to get the camera into operation: camera control signals and camera controls as well as adjusting the image process.

- Chapter [Camera interfaces](#) on page 25 describes the control junction (I/O pin assignment), inputs / outputs and trigger features.
- Chapter [Image processing](#) on page 34 describes the function of the **Pearleye P-007 LWIR / Pearleye P-030 LWIR** firmware. It is related to the individual modules of image processing and shows in what way the user can control these modules via the serial interface.
- Chapter [Basic parameters and commands](#) on page 39 describes the basic configuration options and general commands available for the user, being important for the operation of an ex factory preconfigured camera. Most probably this information will be sufficient for most users.
- Chapter [Advanced parameters and commands](#) on page 46 describes the advanced configuration of the **Pearleye P-007 LWIR / Pearleye P-030 LWIR** models. For the control of an ex-factory set up camera the intervention within the parameters stated here or rather the use of the mentioned commands is only necessary in exceptional cases.
- The appendix: Chapter [Command reference](#) on page 65 describes the general command reference of the **Pearleye P-007 LWIR / Pearleye P-030 LWIR** firmware.
- Chapter [Index](#) on page 83 gives you quick access to all relevant data in this manual.

Conventions used in this manual

To give this manual an easily understood layout and to emphasize important information, the following typographical styles and symbols are used:

Styles

Style	Function	Example
Bold	Programs, inputs or highlighting important things	bold
Courier	Code listings, camera output etc.	Output
Courier bold	Commands sent to the camera	Command
Upper case	Register	REGISTER
Italics	Modes, fields	<i>Mode</i>

Table 2: Styles

Symbols

Note This symbol highlights important information.



Caution This symbol highlights important instructions. You have to follow these instructions to avoid malfunctions.



www This symbol highlights URLs for further information. The URL itself is shown in blue.



Example:

<http://www.alliedvisiontec.com>

Before operation

We place the highest demands for quality on our cameras.

Target group This **Technical Manual** is the guide to detailed technical information of the camera and **is written for experts**.

Getting started For a quick guide how to get started read: **How to install a GigE camera (Bigeye/Pearleye/Goldeye)**.

Note **Please read through this manual carefully before operating the camera.**



Caution Before operating any Allied Vision camera read **safety instructions** and **ESD warnings**.



Safety warnings

Caution



Electrostatic discharge

The camera contains sensitive electronic components which can be destroyed by electrostatic discharge.

Use sufficient grounding to minimize the risk of damage.

Caution



Environmental conditions

Operate the camera in a dry and dust free environment. The working temperature range (temperature of the camera housing) depends on the camera model:

- Pearleye P-007 LWIR: + 25 °C to + 45 °C
- Pearleye P-030 LWIR: + 15 °C to + 35 °C

Only in this temperature range the camera reaches optimal image quality. Outside the optimum temperature range, the image may look oversaturated.

Regarding the signal quality of the camera it is an advantage to operate the camera under constant ambient air temperature. This can, e.g., be facilitated by assembling the camera on a bigger metal corpus or by an additional active temperature regulation.

The red LED at the backside of the camera (L3) or the value of the register **T** serves for examination. If L3 permanently lights up or rather the lowest bit of **T** is set, the temperature of the camera housing is outside the optimum. In this case provide additional heating or cooling.

Note



Warm-up period

The warm-up of the camera takes 20 to 30 minutes.

To achieve best performance and accurate temperature measurements, wait until the warm-up is complete.

Conformity

Allied Vision Technologies declares under its sole responsibility that all standard cameras of the **Pearleye** that this declaration relates to, are in conformity with the following standard(s) or other normative document(s):

- CE, following the provisions of 2004/108/EG directive
- RoHS (2011/65/EU)

CE

We declare, under our sole responsibility, that the previously described **Pearleye** cameras conform to the directives of the CE.

Specifications

Pearleye P-007 LWIR / P-007 LWIR High Temp

Note



The warranty becomes void in case of unauthorized tampering or any modifications not approved by Allied Vision Technologies.

Caution



Surge

To avoid damage caused by surge, connect the camera to an AC/DC power supply. Use a certified industrial power supply that complies with common industrial standards. Make sure the polarization of the power supply is correct.

During the camera start-up, inrush currents ≥ 4 A can occur for 20 ms. Use a sufficiently dimensioned power supply to avoid damage to the camera.

For the DC signal, use cable lengths less than 30 m. Consider that the voltage drop increases with the cable length.

Allied Vision (or your local dealer) provides suitable power supplies:

<http://www.alliedvisiontec.com/emea/products/accessories.html>

Feature	Specification
Sensor	Amorphous silicon uncooled microbolometer focal plane array (FPA) ULIS UL 03 08 1; built-in electromechanical shutter
Effective chip size	11.2 mm (H) x 8.4 mm (V)
Cell size	35 μ m x 35 μ m
Resolution (max.)	320 (H) x 240 (V)
Lens mount	M65 x 0.5
Field of view (FOV)	With 18 mm lens: 35° x 26°
Focus range	0.5 m to ∞ (manually adjustable)
Spectral response	8 μ m to 14 μ m (LWIR)
Pixel format	Mono12
Frame rate	up to 40 fps

Table 3: Specification Pearleye P-007 LWIR / P-007 LWIR High Temp

Feature	Specification
Measurement temperature range	-20 °C to +80 °C (standard version) 0 °C to +200 °C (High Temp version)
Sensitivity (NETD)	typical ≤ 80 mK @ 303 K @ f/1.0 (standard version) typical ≤ 160 mK @ 303 K @ f/1.0 (High Temp version)
Temperature stabilization	Peltier stabilized
ADC	14 bit
Digital output	Internal 14 bit, output only 12 bit, GigE
Sensor time constant	approx. 7 ms
Pixel clock	5.25 MHz
Smart features	Built-in correction data sets, bad pixel correction, background (FPN) correction, gain/offset correction (NUC/non-uniformity correction) for each pixel, drift compensation, temperature linearization (LUT), continuous mode (image acquisition with maximum frame rate) With Allied Vision's AcquireControl: pseudo color LUT with several color profiles, auto contrast, auto brightness, temperature measurement, analyze multiple regions (rectangular, circle, ring, line) within image, real-time statistics and histogram, background (FPN) correction
Digital interface	IEEE 802.3 1000BASE-T (GigE Vision V1.2)
Power requirements	+ 12 V, -0% / +5%, max. 1.5 A (during camera start-up: inrush current ≥ 4 A for 20 ms, capacitive load < 2000 μ F)
Dimensions	With 18 mm f/1.0 lens: 133.7 mm x 90 mm x 86 mm (L x W x H); incl. connectors
Mass	830 g (with 18 mm f/1.0 lens)
Housing material	Aluminum alloy (AlMgSi1)
Operating temperature (Reference to the internal temperature sensor)	+15 °C to +50 °C
Optimal working range (Reference to the internal temperature sensor)	+25 °C to +45 °C
Ambient temperature during storage	-30 °C to +70 °C
Relative humidity (operating and storage)	10 % to 95 % without condensation
Shock	25 g
Vibration	2 g

Table 3: Specification Pearleye P-007 LWIR / P-007 LWIR High Temp


Feature	Specification
Regulations	CE, RoHS (2011/65/EU)
Options	<ul style="list-style-type: none"> • Suitable lenses for LWIR with various focal lengths: <ul style="list-style-type: none"> 12 mm lens, f/0.85, FOV: 50.0° x 38.6° 18 mm lens, f/1.0, FOV: 34.6° x 26.3° 22 mm lens, f/1.2, FOV: 28.6° x 21.6° 35 mm lens, f/1.0, FOV: 18.2° x 13.7° 75 mm lens, f/1.0, FOV: 8.5° x 6.4° <p>Note The cameras are available with integrated lens only. Therefore the customer cannot change the lens. Changing lens and calibration has to be done in the Allied Vision factory.</p> 
	<ul style="list-style-type: none"> • Different temperature ranges

Table 3: Specification Pearleye P-007 LWIR / P-007 LWIR High Temp

Pearleye P-030 LWIR

Note



The warranty becomes void in case of unauthorized tampering or any modifications not approved by Allied Vision Technologies.

Caution



Surge

To avoid damage caused by surge, connect the camera to an AC/DC power supply. Use a certified industrial power supply that complies with common industrial standards. Make sure the polarization of the power supply is correct.

During the camera start-up, inrush currents ≥ 4 A can occur for 20 ms. Use a sufficiently dimensioned power supply to avoid damage to the camera.

For the DC (direct current) signal, use cable lengths < 30 m. Consider that the voltage drop increases with the cable length.

Allied Vision (or your local dealer) provides suitable power supplies:

<http://www.alliedvisiontec.com/emea/products/accessories.html>

Feature	Specification
Sensor	Amorphous silicon uncooled microbolometer focal plane array (FPA) ULIS UL 04 17 1; built-in electromechanical shutter
Effective chip size	16 mm (H) x 12 mm (V)
Cell size	25 μ m x 25 μ m
Resolution (max.)	640 (H) x 480 (V)
Lens mount	M65 x 0.5
Field of view (FOV)	With 18 mm lens: 47.9° x 36.9°
Focus range	0.5 m to infinity (manually adjustable)
Spectral response	8 μ m to 14 μ m (LWIR)
Pixel format	Mono14
Frame rate	up to 24 fps
Measurement temperature range	-20 °C to +80 °C (standard version)
Sensitivity (NETD)	typical ≤ 80 mK @ 303 K @ f/1.0

Table 4: Specification Pearleye P-030 LWIR

Feature	Specification
Temperature stabilization	Peltier stabilized
ADC	14 bit
Digital output	14 bit, GigE
Sensor time constant	approx. 7 ms
Smart features	<p>Built-in correction data sets, bad pixel correction, background (FPN) correction, gain/offset correction (NUC/non-uniformity correction) for each pixel, drift compensation, temperature linearization (LUT), continuous mode (image acquisition with maximum frame rate)</p> <p>With Allied Vision's AcquireControl: pseudo color LUT with several color profiles, auto contrast, auto brightness, temperature measurement, analyze multiple regions (rectangular, circle, ring, line) within image, real-time statistics and histogram, background (FPN) correction</p>
Digital interface	IEEE 802.3 1000BASE-T (GigE Vision V1.2)
Power requirements	+ 12 V, -0% / +5%, max. 1.5 A (during camera start-up: inrush current \geq 4 A for 20 ms)
Dimensions	With 18 mm f/1.0 lens: 133.7 mm x 90 mm x 86 mm (L x W x H); incl. connectors
Mass	790 g (with 18 mm f/1.0 lens)
Housing material	Aluminum alloy (AlMgSi1)
Operating temperature (Reference to the internal temperature sensor)	+10 °C to +40 °C
Optimal working range (Reference to the internal temperature sensor)	+15 °C to +35 °C
Ambient temperature during storage	-30 °C to +70 °C
Relative humidity (operating and storage)	10 % to 95 % without condensation
Shock	25 g
Vibration	2 g

Table 4: Specification Pearleye P-030 LWIR


Feature	Specification
Regulations	CE, RoHS (2011/65/EU)
Options	<ul style="list-style-type: none"> • Suitable lenses for LWIR with various focal lengths <ul style="list-style-type: none"> 18 mm lens, f/1.0, FOV: 47.9° x 36.9° 22 mm lens, f/1.2, FOV: 40.0° x 30.5° 35 mm lens, f/1.0, FOV: 25.8° x 19.5° 75 mm lens, f/1.0, FOV: 12.2° x 9.2° <p>Note The cameras are available with integrated lens only. Therefore the customer cannot change the lens. Changing lens and calibration has to be done in the Allied Vision factory.</p> 
	<ul style="list-style-type: none"> • Different temperature ranges

Table 4: Specification Pearleye P-030 LWIR

Spectral transmission

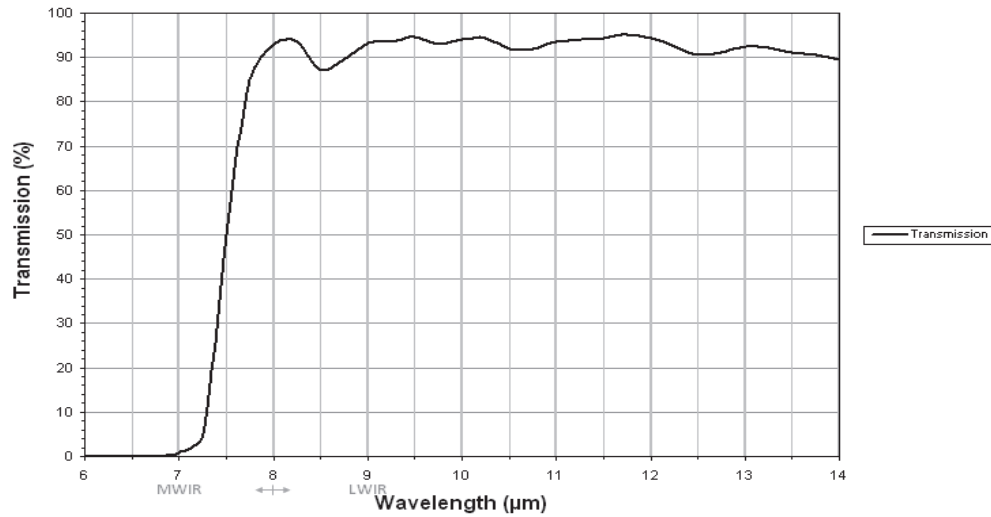


Figure 1: Spectral transmission of **Pearleye P-007 LWIR**

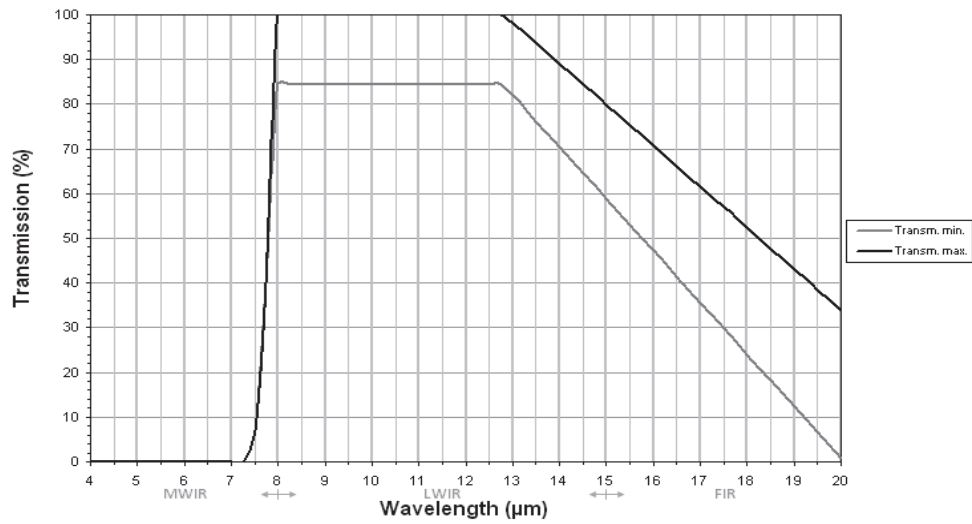


Figure 2: Spectral transmission of **Pearleye P-030 LWIR**

Camera dimensions

Pearleye P-007 LWIR / Pearleye P-030 LWIR

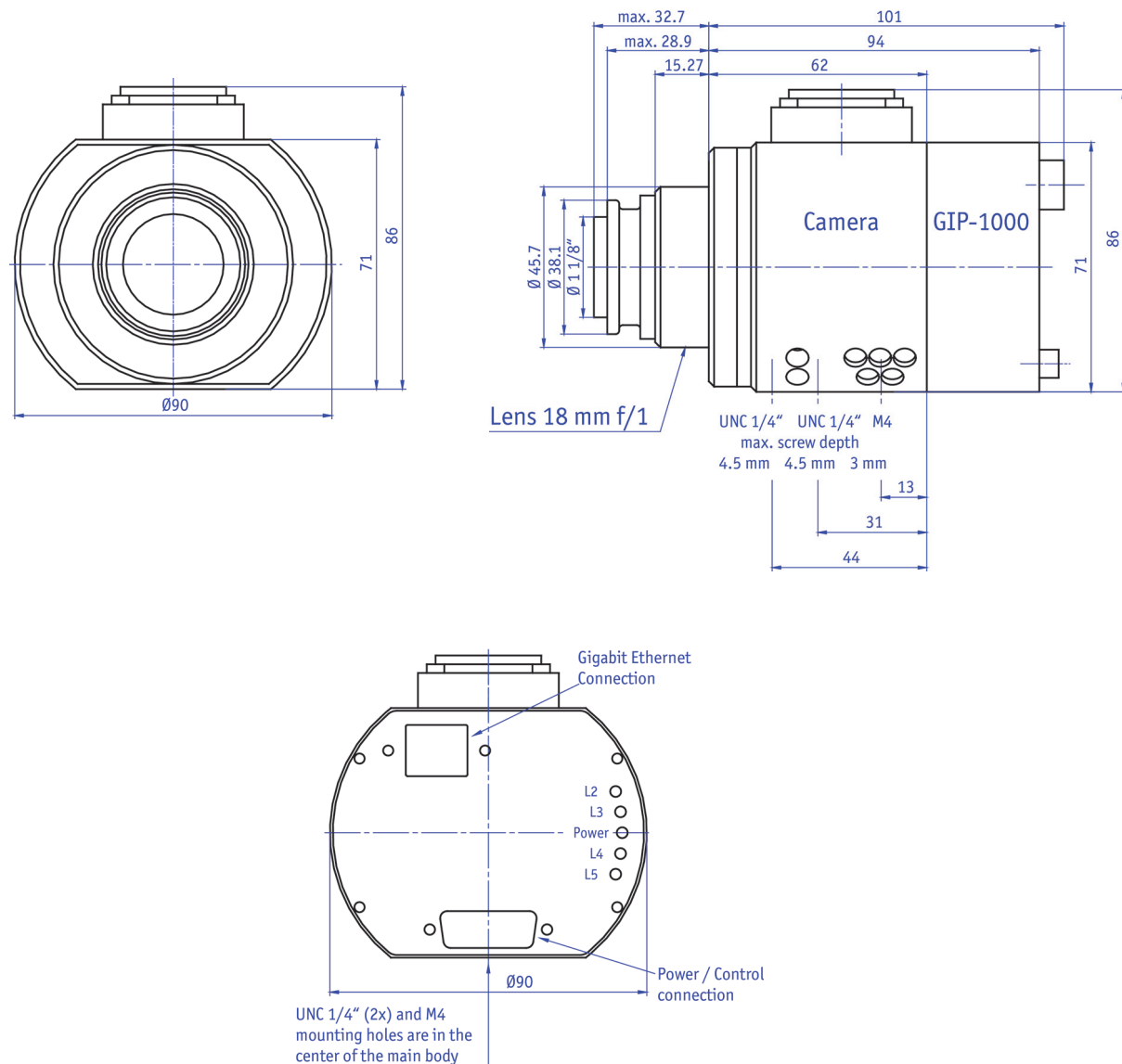


Figure 3: Camera dimensions: Pearleye P-007 LWIR / Pearleye P-030 LWIR (front/side/back)

LED	Color	Description
Power	Green	Power indicator
L2	Red	Camera is operational
L3	Red	Temperature state Off means: temperature is ok
L4	Red	Trigger (reset) input activity
L5	Red	Frame output activity

Table 5: Description of LEDs: Pearleye P-007 LWIR / Pearleye P-030 LWIR

Start-up

A Gigabit Ethernet port (1000Base-T) on the host computer is necessary.

1. Connect the camera with the appropriate data cable to the computer.
2. Plug the 15-pin connector of the power supply to the camera.
3. Switch on the power supply.

Camera control commands

To configure the internal image processing, a serial command interface is provided. By default this command interface is internally routed to the Gigabit Ethernet port, but the RS232 signals at the 15-pin D-sub connector may also be used.

To access it, a serial terminal program employing the PC's RS-232 COM port is required.

For Gigabit Ethernet the camera functions are controlled via GigE Vision features. This GigE Vision features are internally mapped to direct camera control signals or the serial commands accordingly.

Note



Refer to the corresponding control and command chapters throughout this manual to learn more about the GigE Vision feature mapping.

If the serial interface is routed over the 15-pin D-sub connector, it might be advantageous to use HyperTerminal to manually control the camera, since it is part of Microsoft® Windows® deliveries.

Allied Vision provides the software AcquireControl: this can operate the camera's serial port inband via the Gigabit Ethernet interface or externally via PC standard COM ports. Type <CTRL>+Y to get a camera control terminal window there.

By default the serial interface uses the following parameters:

- 115200 Baud
- 8 data bits
- 1 stop bit
- No parity
- No handshake

The baud rate is factory-adjusted to 115200 but can also be configured to other values (see Chapter [Advanced parameters and commands](#) on page 46).

Each command consists of a command letter, followed by an equals sign and a parameter value in hexadecimal number representation. The command letter is case sensitive. Hexadecimal values are always upper case and consist of 1 to 4 digits. The command is activated by a carriage return ([CR], ASCII character number 0x0D).

Serial communication operates in echo mode by default. This means that each character received by the module is echoed back to the sender.

In all command examples the characters sent to the camera are represented in **Bold Courier Font** and the camera's answer in **Plain Courier Font**.

The serial commands have the following fixed scheme:

>B=wxyz [CR]

Sign	Description
B	Command or parameter letter (upper and lower case letter have different meaning)
=	Equals sign (0x3D)
wxyz	1-4 digits long value in hexadecimal number representation (capital letters)
[CR]	Carriage Return (0x0D)
[LF]	Line Feed (0x0A)

Table 6: Scheme of serial commands

Example (activate correction data set number 0):

1. The user sends the four characters
S=0 [CR]
2. The camera answers with seven characters
S=0 [CR] [CR] [LF] >
3. A terminal program without local echo displays
S=0
>

After successful execution of the command, the command input character **>** is output. If any error occurred somewhere previous to the prompt a question mark character **?** is displayed.

To query a parameter value, send the corresponding command letter followed by the equals sign and a question mark character:

>s=? [CR]

If the intended action does not need any parameter, it is sufficient in most cases to send the command letter only, directly followed by **[CR]**.

At the beginning of a command sequence it is good practice to check the serial communication by sending just a **[CR]** to the camera and verify that the command prompt **>** is returned. There is an input buffer holding a few characters but no hardware handshake. Thus a sequence of commands should not be sent to the camera without awaiting the intermediate input prompts. Otherwise the camera's serial input buffer may overflow.

Adjust the image processing

Subsequently the important commands for quick starting the image correction of the **Pearleye P-007 LWIR / Pearleye P-030 LWIR** are mentioned. All further parameters and a description of the correction modules can be found in Chapter [Image processing](#) on page 34.

The camera is configured ex-factory with parameter settings which ensure a basic image correction. **Pearleye P-007 LWIR / Pearleye P-030 LWIR** are equipped with multiple correction data sets for different operation conditions. the image quality can be improved by activating another correction data set if the conditions of the camera have changed. In addition the **Pearleye P-007 LWIR / Pearleye P-030 LWIR** models feature an electromechanical calibration shutter that can further enhance the quality of the corrected image. Use the serial command **k=0**, to select a good data set automatically. This command also controls the shutter.

Note For more information: see Chapter [Automatic calibration \(k\)](#) on page 40.



Camera interfaces

This chapter gives you information on the control junction, inputs and outputs and trigger features.

www



For accessories like cables see:

<http://www.alliedvisiontec.com/emea/products/accessories/gige-accessories.html>

Control connector

Camera I/O connector pin assignment (15-pin D-sub connector)

This connector is intended for the power supply as well as for controlling the camera via its serial RS232 interface over a COM port.

Furthermore, some output signals are available, showing the camera state.

Pin	Signal	Direction	Level	Description
1	External Power		+12 V DC (-0% / +5%)	Power supply max. 1.5 A
2				
3	External GND			
4				
5	---			Reserved (do not connect)
6	---			Reserved (do not connect)
7	RxD	In	RS232	Camera control
8	TxD	Out	RS232	Camera control
9	---			Reserved (do not connect)
10	Trigger (Reset) input	-	optocoupler input	
11		+		
12	Sensor tempera- ture too low	-	optocoupler output	
13		+		

Table 7: Camera I/O connector pin assignment

Pin	Signal	Direction	Level	Description
14	Sensor temperature too high	Out		Active low
15	Frame-sync output	Out		Active low

Table 7: Camera I/O connector pin assignment

Power supply (pin 1-4)

The camera requires 12 V +5% DC and maximum 1.5 A.

The voltage should not fall below 12.0 V and should not exceed 12.6 V. It is recommended to use respectively both pins (1+2, 3+4) for power supply.

Serial interface (pin 7, 8)

By use of the serial interface at pin 7 and 8 the camera can be controlled externally via a RS232 COM port.

A simple terminal program (e.g. HyperTerminal) is sufficient for manually controlling the camera.

Note



Operating this serial interface and the second available port (indirect via GigE Vision features) concurrently may lead to unexpected results.

Both interfaces share the same receive buffer and thus the characters of simultaneously sent commands may be randomly mixed up.

See Chapter [Baud rate \(s\)](#) on page 59 for more information about serial interface configuration options.

Trigger input (Reset) (pin 10, 11)

Due to a rising edge at the trigger input the image readout is reset and the camera immediately starts to output the first line of the new image. In this way a synchronization of several cameras is possible.

Note



A reset event can render up to two output images invalid. The first image may have fewer lines because its output was aborted by the reset event.

Additionally, the intensity of the second image may be inaccurate because the microbolometer pixels' minimal integration time was not reached. Avoid reset events during integration of correction data or execution of the automatic calibration function (**k**).

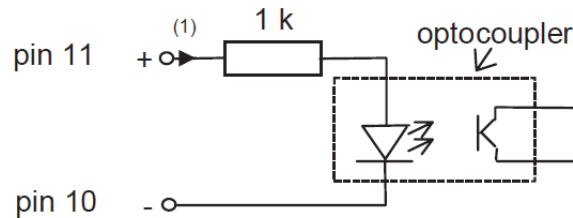


Figure 4: Trigger input diagram

The current (1) which flows through the optocoupler and the integrated dropping resistor should be $> 5 \text{ mA}$ and should not exceed 20 mA .

Pearleye P-007 LWIR For continuous periodical trigger the pulse must be at least $100 \mu\text{s}$ in length and the periodic time must be exactly $24.96 \text{ ms} \pm 10 \mu\text{s}$.

Pearleye P-030 LWIR For continuous periodical trigger the pulse must be at least $82 \mu\text{s}$ in length and the periodic time must be exactly $41.608 \text{ ms} \pm 20 \mu\text{s}$.

Sensor temperature too low (pin 12, 13)

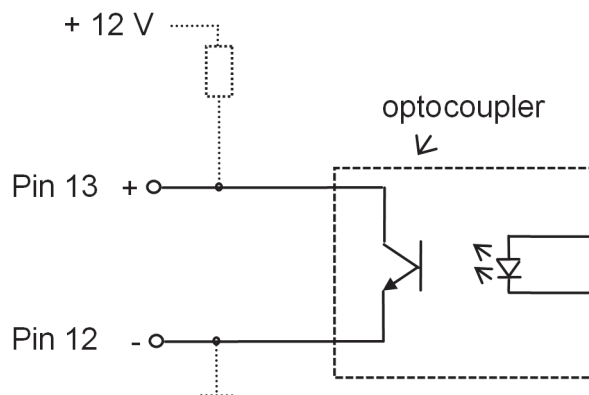


Figure 5: Sensor temperature too low

Caution



Pearleye P-007 LWIR / Pearleye P-030 LWIR: The current that flows through the optocoupler should not exceed 20 mA (at 12 V , resistance of the optocoupler: $R_v \geq 600 \Omega$).

As long as the sensor operating temperature is too low, the sensor control output at pin 12/13 remains active (transistor switched on). After the warm-up period of the camera this output becomes inactive.

An indication of sensor temperature being too low results in a degradation of image quality and inexact temperature measurement. If this control output does not become inactive after some minutes of operation, the ambient air temperature of the camera might be too low.

To resolve this, heat up the camera temperature above approx. **15 °C (Pearleye P-030 LWIR)** or **25 °C (Pearleye P-007 LWIR)**. Use for e.g. a temperature-controlled air-flow housing.

Sensor temperature too high (pin 14)

Voltage	Logical Level	Description
$\leq 0.8\text{ V}$	low	Sensor temperature too high
$> 4.0\text{ V}$	high	Normal operation

Table 8: Sensor temperature too high

An indication of sensor temperature being too high results in a degradation of image quality and inexact temperature measurement.

If this control output is permanently active already after some minutes of operation, the environment temperature of the camera might be too high. A sufficient cooling of the camera is obligatory.

Pearleye P-007 LWIR

For ideal results the camera housing temperature should be lower than **45°C**.

Pearleye P-030 LWIR

For ideal results the camera housing temperature should be lower than **35°C**.

Frame-sync output (pin 15)

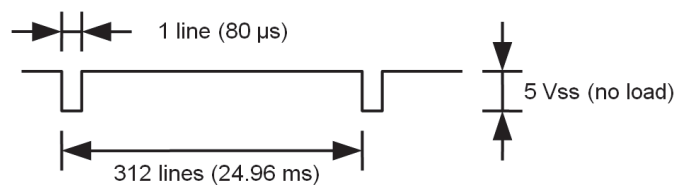


Figure 6: Frame-sync output (**Pearleye P-007 LWIR**)

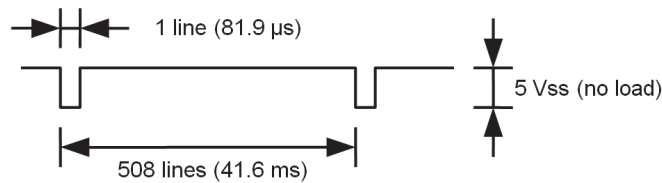


Figure 7: Frame-sync output (**Pearleye P-030 LWIR**)

Pearleye P-007 LWIR

Pearleye P-030 LWIR

The frame-sync output (active low) supplies approx. 900 mV at a termination with 75 Ω.

Conversion of image data to temperature data

Due to the internal LUT, the pixel information can be converted to a corresponding temperature value.

For the **Pearleye P-007 LWIR** the following relation can be used:

$$T = r \times DN + o$$

with:

DN: 12-bit digital value (pixel data)

T: Temperature value [°C]

r: Resolution (for **Pearleye P-007 LWIR**)

standard version: 0.03 °C

High Temp version: 0.05 °C

o: offset for DN=0 (for **Pearleye P-007 LWIR**)

standard version: -30 °C

High Temp version: 0 °C

The following diagram shows the result:

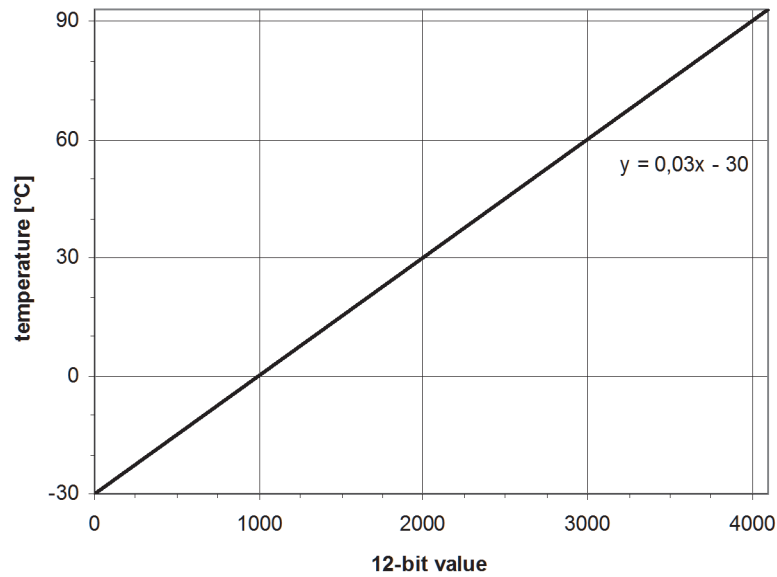


Figure 8: Conversion of image data to temperature data: **Pearleye P-007 LWIR**

For the **Pearleye P-030 LWIR** the following relation can be used:

$$T = r \times DN + o$$

with:

DN: 14-bit digital value (pixel data)

T: Temperature value [°C]

r: Resolution (for **Pearleye P-030 LWIR** standard version: 0.0075°C)

o: offset for DN=0 (for **Pearleye P-030 LWIR** standard version: -30°C)

The following diagram shows the result:

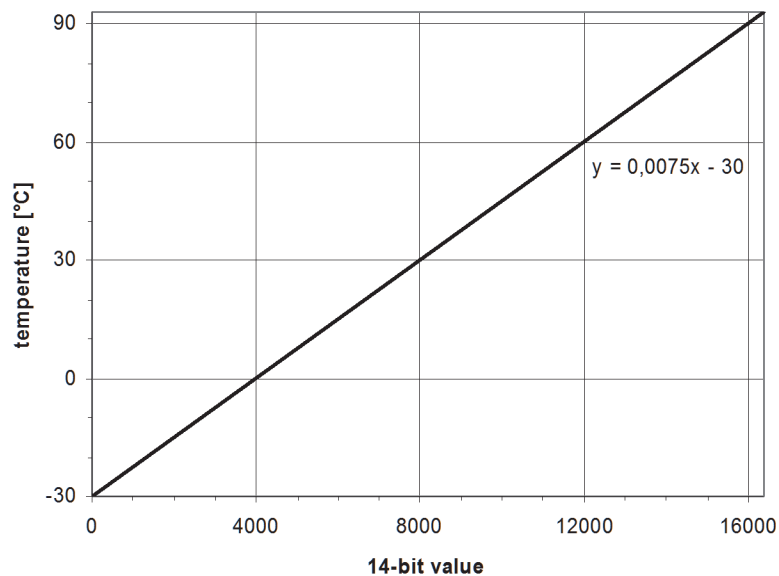


Figure 9: Conversion of image data to temperature data: **Pearleye P-030 LWIR**

Consideration of the emission ratio

Every material has its own emissivity value for IR, so the measured value is not equal to the real temperature. The best result can be reached with materials that have emissivity ratio near to 1.0 (100%).

The following formula allows correcting the temperature value, when the emissivity ratio is known:

$$T_t[\text{K}] = \frac{\sqrt[4]{T_m^4 - (1 - \varepsilon) \times T_b^4}}{\sqrt[4]{\varepsilon}}$$

Formula 1: Emissivity correction

with:

$T_t[\text{K}]$: Corrected value in Kelvin

T_m : Measured value in Kelvin

T_b : Background temperature in Kelvin

ε : Emission ratio

Note



Normally the background temperature can be assumed to be equal to the environmental temperature.

The emission grades of many different materials can be found on various internet sources.

GigE interface

The **Pearleye P-007 LWIR** / **Pearleye P-030 LWIR** cameras are equipped with a 1000Base-T Ethernet interface (RJ45 (8P8C) connector). The data connection between camera and PC can be established via a standard patch cable of category 5e or better.

Note For more information see the **Pleora iPORT PT1000-VB Documentation**.



Pin assignment of the Gigabit Ethernet connector



Figure 10: Front view of the Gigabit Ethernet connector

Pin	Signal
1	D1+
2	D1-
3	D2+
4	D3+
5	D3-
6	D2-
7	D4+
8	D4-

Table 9: GigE connector: pin assignment

Image processing

This chapter explains the function of the **Pearleye P-007 LWIR / Pearleye P-030 LWIR** firmware. It is related to the individual modules of image processing and shows how the user can control these modules via the serial interface.

Image processing chain

The uncorrected sensor image from the microbolometer sensor is very inhomogeneous and each sensor element has its own characteristic curve. Therefore an individual adjustment of each pixel is necessary. The standard firmware of the **Pearleye P-007 LWIR / Pearleye P-030 LWIR** contains a chain of correction modules which perform these tasks in real time.

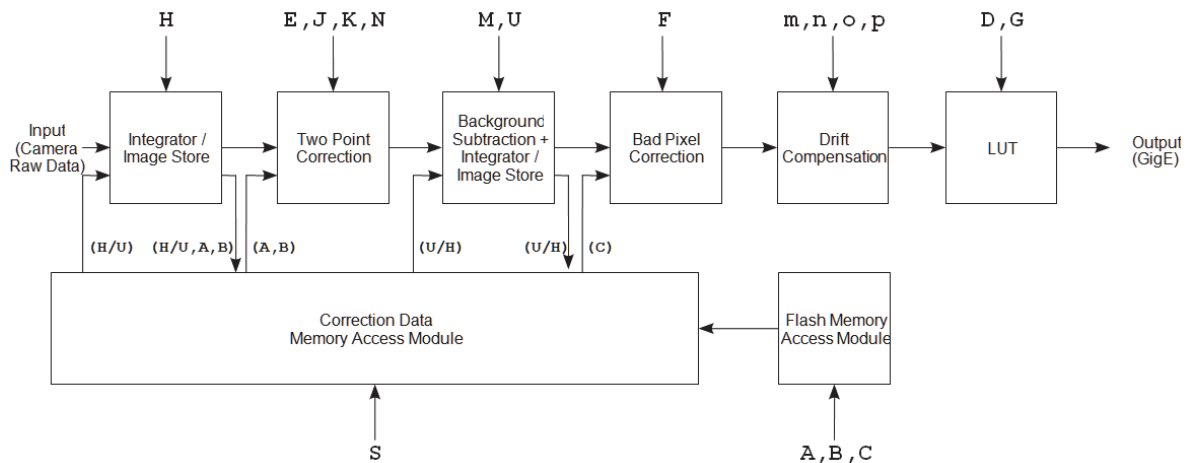


Figure 11: Image processing chain: **Pearleye P-007 LWIR / Pearleye P-030 LWIR**

Each module can have various parameters which control the operation mode. In the drawing above and as well within the text of this manual, these parameters are always marked by **Courier bold** font in order to highlight them to be parameters (or commands) adjustable via the serial interface.

For fast access all available correction data (e.g. reference images for the two-point correction and bad pixel correction control data) are copied from the non-volatile flash memory into a correction data memory (SDRAM) when starting the camera. From this point the correction data is available for real-time image correction. The image data from the camera head is shifted through the correction

modules and the corresponding correction data is applied. Some modules may also write back new data to the correction memory: But currently the modules write back only to the SDRAM and not to the non-volatile flash memory.

The main correction modules are in detail:

- Two-point correction
- Background correction
- Bad pixel correction
- Drift compensation
- Look-up table (LUT)

Two-point correction

With help of the **two-point correction** (likewise *gain offset correction*) the normally distinctive underground structure of the microbolometer sensor can be equalized. The gain and the offset for each pixel of the input image can be adapted to the set values on the basis of two reference images so that in the optimum case no image structure is discernible.

Background correction

The **Pearleye P-007 LWIR / Pearleye P-030 LWIR** models feature an electromechanical shutter. In conjunction with the background correction the image quality can additionally be enhanced. The shutter is closed for a short time to acquire a temporary background correction image. This image is subtracted from the two-point corrected image data to reduce the remaining fixed pattern noise.

Bad pixel correction

The **bad pixel correction** uses up to six non-false neighbor pixels to determine an interpolated value from the neighbor pixels that replaces the bad pixel. In this way the image appears without disturbing **hot** or **cold** pixels.

Drift compensation

As the temperature of the camera itself directly influences the output data, for stable measurements it is necessary to compensate this drift. To achieve this the correction module **drift compensation** can be used. It directly incorporates an internally measured temperature into a drift correction function.

Look-up table (LUT)

The temperature characteristic curve of the microbolometer sensor usually is not linear. With help of the **look-up table (LUT)** there is the possibility to linearize the data at the end of the processing chain, so that more precise temperature values are the result.

Correction data

Ex factory camera specific correction data for each correction module are determined and stored in the camera so that an optimum image quality is available. A PC with a Gigabit Ethernet interface can transmit the temperature data directly to the main memory or rather to the display.

Note



To reach more exact temperature measurements consider the emission ratio and the environment temperature: For more information see Chapter [Consideration of the emission ratio](#) on page 31.

Correction sets

For high quality requirements we recommend to use more than one correction data set. So operating conditions of the camera are mostly compensated. Several different correction sets for the two-point correction are stored inside the camera.

Note



For more information see Chapter [Select a correction data set \(S\)](#) on page 39.

File system

The **Pearleye P-007 LWIR / Pearleye P-030 LWIR** camera models are equipped with a non-volatile data memory (64 MByte flash) which records configuration and correction data. The data is managed in a minimalist file system.

Due to the file system there are the following restrictions:

- Files are identified via one byte. Regarding to its function this file number is somewhat comparable to the file name (including extension) from the PC world. Valid file numbers are between 1 (0x01) and 254 (0xFE).
- The file type can be defined via a further byte. It is an optional clustering feature for files, but it has no relevance for the file identification.
- There is no directory structure. All files are on one single hierarchy level within the main directory. This results in a maximum possible number of 254 simultaneously stored files, because each file number can only be allocated once.

Ex factory the camera is usually already equipped with several files, containing system and correction data. The **Pearleye P-007 LWIR / Pearleye P-030 LWIR** don't use the whole 64 MByte, so that a customer can also use this memory for own data.

Note

For more information see Chapter [Upload a file to flash \(Q\)](#) on page 61.



Short introduction: Two-point correction (A, B, E, J, K, N)

The two-point correction is the most elaborate correction module of the **Pearleye P-007 LWIR / Pearleye P-030 LWIR** camera models. For this reason initially a general survey of the two-point correction functioning shall be given.

Note

For more information see Chapter [Basic parameters and commands](#) on page 39.



This will probably be sufficient for most users, due to the fact that the determining and adjustment of nearly all parameters is already executed ex factory and normally no user intervention is necessary at all.

For more extensive details of the current parameters see Chapter [Advanced parameters and commands](#) on page 46.

By means of the two-point correction (also called *gain offset correction*) the distinctive underground structure of the microbolometer sensor can be equalized. The target is to transmit the individual characteristic curve of each pixel to a set characteristic curve, being valid for all pixels. In order to achieve this, the effective characteristic curve of each single pixel is determined by taking up data samples. A linear characteristic curve is supposed so that two data samples are sufficient for a definite determination. By means of recording two reference images at the scene temperatures T_A and T_B the data samples can be determined for all pixels. Furthermore, the digital set values J and K each belonging to the temperatures T_A and T_B are determined.

Owing to the four parameters mentioned above, the two-point correction is now able to modify the gain and the offset of each pixel characteristic curve in a way that it is congruent with the set characteristic curve. In a best-case scenario a structural pattern overlaying the image and caused by the sensor will be fully eliminated. The below mentioned diagram tries to exemplary explain the facts on the basis of one single pixel characteristic curve:

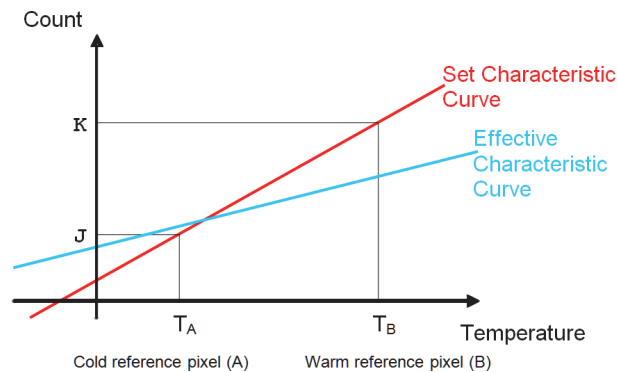


Figure 12: Two-point correction

The reference images are stored in several files within the flash and are directly transferred into the correction memory following the camera start-up. The parameter **A** indicates the file number of the correction image at low reference temperature T_A . The parameter **B** serves the same purpose for the reference image at temperature T_B .

For improvement of image quality the camera usually is delivered ex-factory with several sets of correction data, which are determined for diverse operating conditions.

Diverse correction images (**A**, **B**) may exist including the according set values (**J**, **K**). These correction images are loaded to the correction memory during the camera start-up.

Basic parameters and commands

This chapter illustrates the basic configuration options and general commands available for the user, being important for the operation of an ex factory pre-configured camera. Most probably the information stated here will be sufficient for most users.

Note For more information see Chapter [Advanced parameters and commands](#) on page 46.



Select a correction data set (S)

Pearleye P-007 LWIR / Pearleye P-030 LWIR are equipped with multiple correction data sets. For different operation conditions the image quality can be improved by activating another correction data set, if the environmental conditions have changed.

For quick access to the different correction data sets, the correction data memory is subdivided into 32 single pages. Each of these pages can store a complete set of correction data (parameters **A** and **B**). At all times only one page can be active simultaneously and all eventual modification of the correction data takes place within this page. For each correction memory page a further pair of registers for the parameters **J** and **K** is available. In order to enable an access on the values **J** and **K** of each correction data set, the page address also serves as access address to the register pairs.

The memory pages are filled with data starting at the address 0. The highest valid address depends on the number of correction data sets stored in the camera, however it cannot exceed 31 (0x1F). If e.g. 27 correction data sets are available this would result in a maximum valid page address of 0x1A.

Both parameters, **A** and **B** together affect the choice and the number of data sets to be loaded.

By means of the parameter **S** the address of the active page can be adjusted:

Example

Activate the eleventh correction data set (address 10 = 0xA)

```
>S=A [CR]
```

GigE feature name (CameraSpecialFeatures)	Feature Visibility	Description
CorrectionDataSet	Beginner	Number of the correction data set to activate. (S=<value> command)

Table 10: GigE feature: CorrectionDataSet

Automatic calibration (k)

Beside the manual selection of data sets with parameter **S** also an automatic calibration (one-time or timer controlled repeating) can be carried out. The automatic process tries to determine the best data set **S** and activates it.

Pearleye P-007 LWIR / Pearleye P-030 LWIR models additionally employ the electromechanical shutter to acquire a temporary background correction image.

Criterion for the data set selection is a statistics value which is correlating with the fixed pattern noise, being visible within the image. For the determination of this statistics value an image is recorded and stored by means of the first *Integrator / Image Memory* module in the chain. This acquired image is tested in succession with each correction set being available in the memory by determining the statistics value of the corrected data. Finally that memory page **S** becomes activated, which is showing the best results for the statistics value.

Depending on the number of available data sets the automatic data set selection can take some seconds. During the data set selection the image output is stopped by suppression of the FVAL signal. According to each image content, under the same conditions diverse correction sets can be chosen if they are very similar to one another. But generally the data set which is optimum for the actual image content is activated.

Avoid triggering the camera while the calibration is in progress. Depending on the camera model and current **j** parameter configuration, the actions accomplished by the **k** command and its output at the serial interface may vary.

Note For more information on the corresponding commands see Chapter [Command reference](#) on page 65.



Example

Start an automatic calibration process

```
>k=0 [CR]
```

```
S=0A
```

```
M=87C8
```

```
>
```


GigE feature name (CameraSpecialFeatures)	Feature Visibility	Description
AutoCalibrateOnce	Beginner	Start the automatic calibration once. (k=0 command) The processing of this command can take several seconds, depending on the current image rate and the number of correction data sets available.

Table 11: GigE feature: AutoCalibrateOnce

The following **Pearleye P-007 LWIR** table shows an overview of the time required by the command **k=0**:

Description	Time	Max. Time	Typical time for a Pearleye P-007 LWIR
Close shutter (optional)	4 * T	100 ms	0 ms
Save one image	3 * T	75 ms	75 ms
Open shutter (optional)	0 * T	0 ms	0 ms
Choose data set	N1 * 2 * T	1600 ms	800 ms (N1=16)
Close shutter	5 * T	125 ms	125 ms
Integrate images	(N2 + 1) * T	1625 ms	1625 ms
Open shutter	0 * T	0 ms	0 ms
Calculate statistics	2 * T	50 ms	50 ms
Total time		3.58s	2.68s

Table 12: **Pearleye P-007 LWIR**: time required by command k=0

T = Time for one frame-out (**Pearleye P-007 LWIR**: 25ms)

N1 = Number of data sets (max. 32)

N2 = Number of integrated images (max. 64)

The following **Pearleye P-030 LWIR** table shows an overview of the time required by the command **k=0**:

Description	Time	Max. Time	Typical time for a Pearleye P-030 LWIR
Close shutter (optional)	4 * T	166 ms	0 ms
Save one image	3 * T	125 ms	125 ms
Open shutter (optional)	0 * T	0 ms	0 ms

Table 13: **Pearleye P-030 LWIR**: time required by command k=0

Description	Time	Max. Time	Typical time for a Pearleye P-030 LWIR
Choose data set	$N1 * 2 * T$	2662 ms	1331 ms (N1=16)
Close shutter	$5 * T$	208 ms	208 ms
Integrate images	$(N2 + 1) * T$	2704 ms	2704 ms
Open shutter	$0 * T$	0 ms	0 ms
Calculate statistics	$2 * T$	83 ms	83 ms
Total time		5.95s	4.45 s

Table 13: **Pearleye P-030 LWIR**: time required by command $k=0$

T = Time for one frame-out (**Pearleye P-030 LWIR**: 41.6 ms)

$N1$ = Number of data sets (max. 32)

$N2$ = Number of integrated images (max. 64)

If the camera is exposed to unsteady operating conditions it might be an advantage that the automatic data set selection regularly starts on its own. If k is not set to 0 the automatic search starts at approx. each $k * 256$ images. At a frame rate of e.g. 40 images per second the chronological resolution of the k value is approx. 6.4 seconds.

Example

The automatic correction data selection shall always be started approx. every 1200 seconds (20 minutes): $1200 \text{ sec.} / 6.4 \text{ sec. per count} \approx 188 = 0xBC$.

$>k=BC$ [CR]

Caution

The electromechanical shutter is not designed to be held closed permanently. Reopen it soon after closing.



GigE feature name (CameraSpecialFeatures)	Feature Visibility	Description
AutoCalibrationInterval	Expert	Setup the automatic calibration interval. 0=Calibrate one-time, 1 to 65535=Calibrate every $k*256$ frames. ($k=<value>$ command)

Table 14: GigE feature: AutoCalibrationInterval

Electromechanical shutter (I)

The **Pearleye P-007 LWIR / Pearleye P-030 LWIR** models are equipped with an electromechanical shutter that can be controlled with the command **I**.

Use **I=1** to close and **I=0** to open the shutter.

Note The shutter is open by default (power off).



The typical life time of the electromechanical shutter is: 1 million control cycles.

GigE feature name (CameraSpecialFeatures)	Feature Visibility	Description
MechanicalShutter	Beginner	Set the electromechanical shutter state manually. (I=<value> command)

Table 15: GigE feature: Electromechanical shutter

Temperature warning (T)

The command **T=1** displays the content of the temperature warning register. The lowest order bit has the same function as LED L3 placed at the backside of the camera housing. If the value 1 is output, the temperature of the microbolometer sensor is outside the optimum range. After switching on the camera you have to wait some time until the set value is reached. If the temperature warning remains active for a longer period, the environment temperature of the camera should be checked.

Note For information about the starting procedure see [Warm-up period](#) on page 11.



The camera is equipped with an internal temperature sensor. The temperature can be displayed using the command **T=2**. The temperature is output as 16-bit value. The 4 most significant bits contain information about the temperature sensing state. The remaining 12 bits contain two's complement of 1/16 degrees Celsius.

GigE feature name (CameraSpecialFeatures)	Feature Visibility	Description
SensorTemperatureState	Expert	Camera sensor temperature state. 0 = The sensor temperature is OK. 1 = The sensor temperature is outside the optimum range.
QuerySensorTemperatureState	Expert	Query camera sensor temperature state. (T = 1 command)
ShutterTemperatureValue	Beginner	Shutter temperature value in degree Celsius.
QueryShutterTemperatureValue	Beginner	Query camera shutter temperature state. (T = 2 command)

Table 16: GigE feature: Sensor temperature state

Software version and correction data information (V)

The command **V=1** displays information about the correction data installed in the non-volatile memory. The current firmware version and also the serial number of the camera are output.

Note This function is not available as GigE Vision feature.



Current parameter settings (Y)

The command **Y=1** shows the actual set parameter values.

Note This function is not available as GigE Vision feature.



Show help text (?)

The command `?=1` shows a command reference text at the serial terminal. It lists a short description for each command available in the firmware.

Note This function is not available as GigE Vision feature.



Note The displayed command reference is for both: Goldeye and Pearleye camera families.



See the command reference to verify, if a command is valid for your camera model: Chapter [Command reference](#) on page 65.

Advanced parameters and commands

This chapter describes the advanced configuration of the **Pearleye P-007 LWIR** / **Pearleye P-030 LWIR** models.

Note In most cases the factory setup of the camera is sufficient.



Only in special cases you need the advanced parameters and commands.

Two-point correction (A, B, E, J, K, N)

To configure the two-point correction, use the following parameters:

Parameter	Description
A	File number of the first correction image recorded at cold reference temperature.
B	File number of the first correction image recorded at warm reference temperature.
E	Two-point correction operating mode
J	Set value of the correction image of the actually chosen correction data set recorded at cold reference temperature.
K	Set value of the correction image of the actually chosen correction data set recorded at warm reference temperature.
N	File number for the set values of all correction data sets.

Table 17: Advanced parameters: two-point correction

The parameter **E** controls the operation mode of the two-point correction. The following value assignments are valid:

Value	Description
0	Deactivated Data is passed through transparently.
1	Activated Correction data A and B with the set values J and K of the actual correction memory page S is used.

Table 18: Parameter **E**: values

Value	Description
2	Deactivated Test mode: Correction data A are output as image data. (*)
3	Deactivated Test mode: Correction data B are output as image data. (*)
4	One-point correction: Simple subtraction of the correction data A from the input data. In addition the set value J is added as offset to each pixel value.
5	One point correction: Simple subtraction of the correction data B from the input data. In addition the set value K is added as offset to each pixel value.

Table 18: Parameter **E**: values

Usage of the parameters is described in more detail on the following pages.

Note (*) Operating modes 2 and 3 are for test purposes.



If you activate mode 2 or 3, the module does not transmit any incoming image data. The module outputs correction data as image data only.

Example

Activate the two-point correction

>**E=1** [CR]

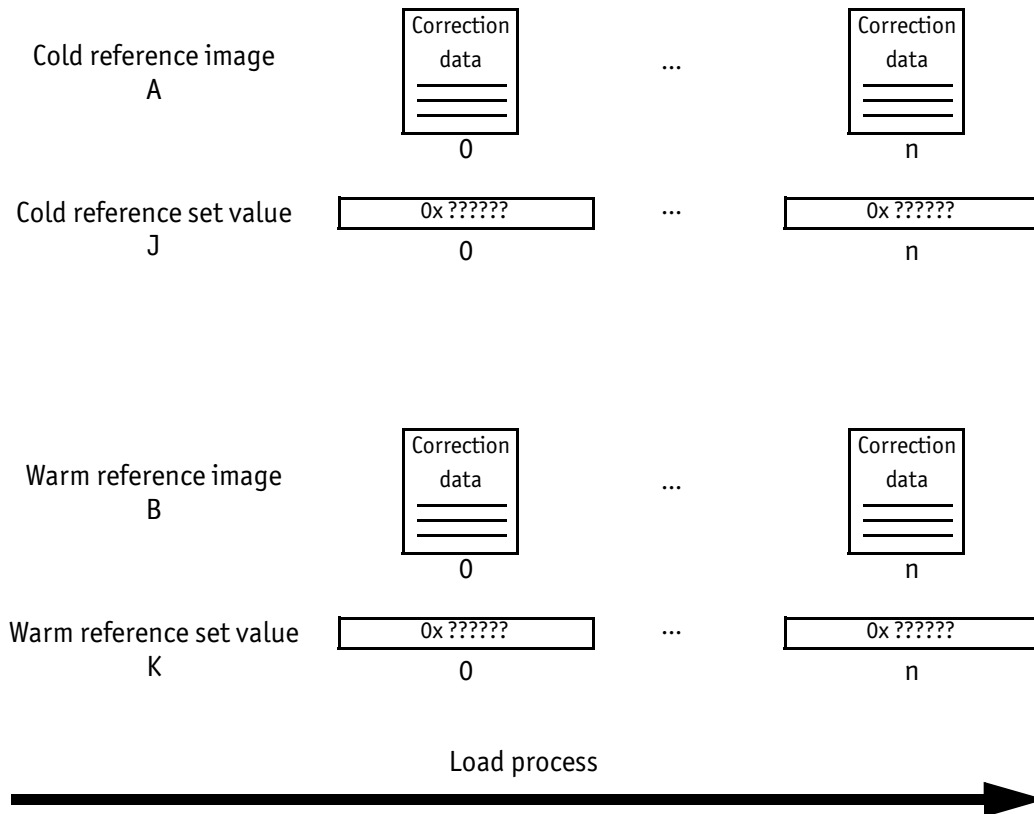


Figure 13: Schematic process of two-point correction

The parameters **A** and **B** define both files out of which the reference images for the two-point correction data are loaded. The reference images in the file system are stored each in a closed sequence of file numbers. The loading process following the camera start begins at the first cold reference image **A**. Then it is continued with the accompanying warm reference image **B**. In the following step it is attempted to load the file numbers **A+1**, then **B+1** and so on. This process is continued as long as one file within the sequence is missing in the flash or the maximum number of correction sets (actually 32) has been achieved.

If during operation the value of **A** or **B** is newly adjusted, this change causes the immediate data load out of this file. Different to the automatic loading procedure following the switch-on of the camera, the data are exclusively copied within the memory page **S** (see Chapter [Select a correction data set \(S\)](#) on

page 39) actually being activated. Following the storage (**X=1**) and a re-start of the camera all file numbers following **A** and **B** are loaded into the correction data memory as mentioned above. For an optimum image quality one should take into consideration that the parameters **A** and **B** shall always specify a pair of two mating reference images, even though these parameters are alterable separately.

Note For more information on the **X=1** command see Chapter [Save parameters in flash \(X\)](#) on page 61.



Example

Loading of correction data at low reference temperature into the active correction memory page of file number 0x20.

>A=20 [CR]

The set values for both reference images **A** and **B** are adjusted with the parameters **J** and **K**. For each correction data set two registers are available which include the corresponding set value. One always refers to both set values of the actual correction data set **S**.

If various correction sets are obtainable, the set values are factory-bunched in one file, the number of which is indicated by the parameter **N**. If **N** is not zero, the values for all correction sets from this file are loaded, when switching-on the camera and stored back with **X=1**. If only one correction data set is on hand, **N** can remain on the value zero, because **J** and **K** (only the values of the actual memory page) are stored together with all other parameters of one system file apart from the file **N**.

Note Changes to **J** and **K** cannot be stored to file **N**.



Example

All set values of the two-point correction have to be loaded from the file 0x60.

>N=60 [CR]

Generally no changes at the set values have to be executed. The factory-determined value **J** (or rather **K**) for a determined correction image, as well as the definition of the conversion of temperatures in digital values, can be gathered from an optional calibration report.

From the registers **J** and **K** actually only the higher 12 (**Pearleye P-007 LWIR**) or 14 (**Pearleye P-030 LWIR**) bits are used.

The lower bits are reserved for prospective extensions and should always be set to zero:

Bit position	15	14	13	12	11	10	9	8	7	6	5	4	3	2	1	0
Value (12-bit)	2^{11}	2^{10}	2^9	2^8	2^7	2^6	2^5	2^4	2^3	2^2	2^1	2^0	-	-	-	-
	a												0			
Value (14-bit)	2^{13}	2^{12}	2^{11}	2^{10}	2^9	2^8	2^7	2^6	2^5	2^4	2^3	2^2	2^1	2^0	-	-
	a														0	

Table 19: J and K: bit usage

GigE Vision feature name	Feature Visibility	Description
TPC_OperationMode	Expert	Operation mode of the two-point correction (E=<value> command)
TPC_CorrectionData_FileNumber	Expert	File number of the flash file containing the set values for the two-point correction. (N=<value> command)
TPC_SetValue_LowRef	Expert	Define the set value for the low reference image of the two-point correction. (J=<value> command)
TPC_SetValue_HighRef	Expert	Define the set value for the high reference image of the two-point correction. (K=<value> command)
TPC_FirstImage_LowRef	Expert	File number of the first low reference image of the two-point correction. (A=<value> command)
TPC_FirstImage_HighRef	Expert	File number of the first high reference image of the two-point correction. (B=<value> command)

Table 20: GigE feature: TwoPointCorrection (TPC)

Background correction (U, M)

The module **background correction** is closely related to the module **integrator / image store** at the beginning of the processing chain (**H**). It also comprehends an image integration function. But additionally it can subtract its current correction data image (**H/U**) from the incoming image and add the offset **M**. Thus a fixed pattern noise reduction or difference image calculation is possible.

Note



This module uses the same memory buffer as the **integrator and image store** (**H**). It is not useful to activate U and H at the same time.

The bits of the parameter value are divided into three different sized bit groups **a**, **b** and **c**. Each bit group has a special function and is independent of the other two bit groups:

- **a**: Controls the output of background correction module. Beside the normal background correction mode also the actual memory content (**H/U**) of the integrator can be output. In this case the correction module becomes an image source itself. It provides a simple image store function.

Note



The bit group **a** is split into two separate areas. These areas are located on both sides of bit group **b**.

- **b**: Defines the number of images to be integrated and starts the integration process as soon as a new value was set.
- **c**: Indicates whether the last started integration is still running. This bit can only be read out; during write access to **U** it is ignored.

The table below illustrates the possible values for the individual bit groups:

Operation Mode		F	E	D	C	B	A	9	8	7	6	5	4	3	2	1	0	
Background Correction		-	-	-	-	-	-	-	-	c	-	-	a	b	b	b	a	
											ro	rw			rw	rw	rw	rw
Bit group	Value (hex)	Explanation																
a	0	Output: deactivated. Data is passed through transparently.																
	1	Output: activated. Apply the current correction image (H/U) and offset value M.																
	2	Output: activated. Output of current correction image (H/U).																
b	0	Integration: deactivated. The image store content is not changed.																
	1	Integration: 1 image. The following image is copied into the image store.																
	4	Integration: 8 images. The following 8 images are integrated and the result is copied into the image store.																
	5	Integration: 16 images. The following 16 images are integrated and the result is copied into the image store.																
	6	Integration: 32 images. The following 32 images are integrated and the result is copied into the image store.																
	7	Integration: 64 images. The following 64 images are integrated and the result is copied into the image store.																
c	0	Integration completed. (This value can only be read out.)																
	1	Integration still running. (This value can only be read out.)																
<p>Note: The Integration is activated by change of the bit group b of U.</p> <p>If e.g. directly following the integration of 64 images a further integration of 64 images is subject to be started another value has to be written into the register first.</p> <p>Example: U=E, U=0, U=E.</p>																		

Table 21: Parameter U: values

Example

Integration of 32 images simultaneously to the output of the actual integration image (a=2, b=6) => abbbba = 11100 [binary] = 0x1A. After that, reactivate the background correction.

Command sequence

>U=1A [CR]

Pearleye P-007 LWIR

...wait for at least 34 image cycles (32 + 2 frames jitter buffer, 0.85 seconds at 40 images / second) or poll the state of bit group c with **U[CR]**...

Pearleye P-030 LWIR

...wait for at least 34 image cycles (32 + 2 frames jitter buffer, 1.41 seconds at 24 images / second) or poll the state of bit group c with **U[CR]**...

>U=1[CR]

The parameter **M** defines the offset value that is added to each pixel if the background correction is activated. Depending on settings of parameter **j**, **M** is automatically set to the mean value of the background image, provided that the background image acquisition is done with the automatic calibration function (**k**).

In this way it is possible to preserve the constant component of the image irrespective of the background correction's activation state. Integrating a new background correction image with the command **U** does *not* modify **M**. Only the 12 (14) most significant bits of this 16 bits value are relevant.

The following table reveals the bit order:

Bit position	15	14	13	12	11	10	9	8	7	6	5	4	3	2	1	0
Value (12-bit)	2^{11}	2^{10}	2^9	2^8	2^7	2^6	2^5	2^4	2^3	2^2	2^1	2^0	-	-	-	-
	a												0			
Value (14-bit)	2^{13}	2^{12}	2^{11}	2^{10}	2^9	2^8	2^7	2^6	2^5	2^4	2^3	2^2	2^1	2^0	-	-
	a														0	

Table 22: U and M: bit usage

Example

Set the background correction offset to 291 = 0x123

>**M=1230 [CR]**

GigE Vision feature name	Description
BGC_OperationMode	Operation mode of the background correction. (U=<value> command) While reading this feature the MSB shows the state of the integration process. (0=Idle, 1=Busy)
BGC_OffsetValue	Offset value for the background correction. (M=<value> command)

Table 23: Camera special feature: BackgroundCorrection

Bad pixel correction (C, F)

The configuration of the bad pixel correction is executed ex factory, so normally no access on the part of the user is necessary.

The bad pixel correction applies up to six non false neighbor pixels, in order to determine an interpolated value from the neighbors. At the position of the defective pixel an interpolated value in exchange of the bad pixel value is output.

The parameter **F** controls the operation mode of the bad pixel correction.

The following value assignment is applied:

Value	Description
0	Bad pixel correction deactivated; output of the uncorrected data.
1	Bad pixel correction is applied.
2	Testing mode, output of correction data. (*)

Table 24: Parameter F: values

Note (*) Operation mode **2** exists for test purposes.



If activating this mode the module does not transmit any incoming image data anymore. It becomes a data source itself instead.

Example

Activate the bad pixel correction.

```
>F=1 [CR]
```

By means of parameter **C** the file number of the required correction data is indicated. Ex-factory the defective pixels are determined one time and the corresponding correction data is stored in a special data format in the camera. As generally only one file with correction data exists in the camera, it is not necessary to change this parameter.

Example

Initialization of the correction data for the bad pixel correction from the file 0x70.

```
>C=70 [CR]
```

GigE Vision feature name	Description
BPC_OperationMode	Operation mode of the bad pixel correction. (F=<value> command)
BPC_CorrectionData_FileNumber	File number of the correction data for the bad pixel correction. (C=<value> command)

Table 25: Camera special feature: BadPixelCorrection

Temperature drift compensation (m, n, o, p)

The output data of a microbolometer system is highly affected by the temperature of the camera. Therefore digital drift compensation can be activated in the post processing chain. An internal temperature sensor (Dallas DS18B20) calculates an offset that is added to each pixel. The parameters for this compensation are normally preset by factory with measured values for each camera. However, the user can modify these parameters, especially the additional offset parameter **p=<p16>**.

With **m=<p8>** the drift compensation can be activated/deactivated and a filter for the temperature values can be switched on/off.

m	0	Operation Mode		7	6	5	4	3	2	1	0
		Drift compensation		-	-	-	f	-	-	-	m
				rw				rw			
		Bit group	Value (hex)	Description							
		f	0	Filter is enabled							
			1	Filter is bypassed							
		m	0	Drift compensation deactivated							
			1	Drift compensation activated							

Table 26: Temperature drift compensation: values

The parameter **n=<p16>** specifies the slope of the linear drift compensation term $n \cdot T + o$. The value specifies the slope in counts per °C and is represented in 10.6 bit fixed point two's complement notation.

With **o=<p16>** the offset is specified. The value is represented in 16 bits fixed point two's complement notation.

An additional offset (user offset) can be specified by **p=<p16>**. This parameter is represented in 16 bits fixed point two's complement notation.

Note This function is currently not available as GigE Vision feature.



Look-up table (LUT) (D, G)

The temperature data of the microbolometer sensor is generally non-linear.

The LUT linearizes the data that have already been pre-corrected by two-point, background and bad pixel correction, resulting in more exact temperature values. The LUT is implemented as 12-bit LUT.

The operation mode of the LUT is controlled with parameter **G**.

The following value assignment is applied:

Value	Description
0	Deactivated. Data are passed through transparently.
1	Activated
2	Deactivated Test mode: LUT data are output sequentially. (*)

Table 27: Look-up table: values

Note (*) Operation mode **2** exists only for test purposes. If activating this mode, the module does not transmit any incoming image data anymore. It becomes a data source itself instead.



Example

Activate the LUT for linearization.

```
>G=1 [CR]
```

The file containing the LUT data is set with parameter **D**. Ex factory the LUT is determined one time and stored into the flash. As generally only one LUT exists in the camera, it is not necessary to change this parameter.

Example

Initialisation of the LUT with data from file number 0x80.

```
>D=80 [CR]
```


GigE Vision feature name	Description
LUT_OperationMode	Operation mode of the LUT. (G=<value> command)
LUT_CorrectionData_FileNumber	File number of the data for the LUT. (D=<value> command)

Table 28: Camera special feature: LUT

Integrator and image store (H)

The **integrator / image store** (integrator) module is internally applied for the automatic selection of the correction set (**k=**) and the recording of new temporary reference image data (**A=FF**, **B=FF**). Furthermore, this module may also be controlled manually. The data are stored in the volatile SDRAM memory. They will get lost after the camera is switched off.

Note This module uses the same memory buffer as the **Background Correction (U)**.



It is not useful to activate **H** and **U** at the same time.

The bits of the parameter value are divided into four different sized bit groups a, b, c and d. Each bit group has a special function, being independent of the other ones:

- **a:** Controls the output of integrator module. Either the incoming data are passed through transparently or the actual memory content of the integrator is output. In the latter case the integrator becomes an image source itself. In this way this module has a simple image store function.
- **b:** Defines the number of images to be integrated and starts the integration process as soon as a new value was set.
- **c:** Controls the data copy mode. The image store content of the integrator is copied into the correction data store as cold or warm reference image of the two-point correction (parameter A or B in the active memory page S) at any time. The data copy mode should stay active for a minimum period of two complete image cycles in order to guarantee a save data transmission into the target area.
- **d:** Indicates whether the last started integration is still running. This bit can only be read out; during write access to H it is ignored.

The table below illustrates the possible values for the individual bit groups:

Operation Mode		F	E	D	C	B	A	9	8	7	6	5	4	3	2	1	0
		-	-	-	-	-	-	-	-	d	-	c	c	b	b	b	a
Integrator/Image Store										ro		rw	rw	rw	rw	rw	rw
Bit group	Value (hex)	Description															
a	0	Output: deactivated. Data are passed through transparently.															
	1	Output: activated. Output of actual image store content.															
b	0	Integration: deactivated. The image store content is not changed.															
	1	Integration: 1 image. The following image is copied into the image store.															
	4	Integration: 8 images. The following 8 images are integrated and the result is copied into the image store.															
	5	Integration: 16 images. The following 16 images are integrated and the result is copied into the image store.															
	6	Integration: 32 images. The following 32 images are integrated and the result is copied into the image store.															
	7	Integration: 64 images. The following 64 images are integrated and the result is copied into the image store.															
c	0	Copy: deactivated.															
	1	Copy: Target A. The image store content of the integrator is copied into the correction data store as cold reference image of the two point correction.															
	2	Copy: Target B. The image store content of the integrator is copied into the correction data store as warm reference image of the two point correction.															
d	0	Integration completed. (This value can only be read out.)															
	1	Integration still running. (This value can only be read out.)															
<p>Note: The Integration is activated by <i>change</i> of the register content of H. If e.g. directly following the integration of 64 images a further integration of 64 images is started, another value has to be written into the register first.</p> <p>Example: H=E, H=0, H=E.</p>																	

Table 29: Integrator and image store: values

Example

Integration of 32 images simultaneously to the output of the actual integration image and copy as a reference image **A** into the correction data memory (a=1, b=6, c=1) => yyxxw = 011101 binary = 0x1D. As soon as the integration is terminated, one still has to wait for at least two image cycles, before the copy procedure is ended.

>**H=1D [CR]**

Pearleye P-007 LWIR ...wait for at least 36 image cycles (34 + 2 frames jitter buffer, 0.9 seconds at 40 images / sec.) or poll the state of bit group **d** with **H[CR]**...

Pearleye P-030 LWIR ...wait for at least 36 image cycles (34 + 2 frames jitter buffer, 1.50 seconds at 24 images / sec.) or poll the state of bit group **d** with **H[CR]**...

>**H=0 [CR]**

GigE Vision feature name	Description
IIS_OperationMode	Operation mode of the integrator and image store. (H=<value> command) While reading this feature the MSB shows the state of the integration process. (0=Idle, 1=Busy)

Table 30: Camera special feature: IntegratorAndImageStore

Baud rate (s)

Note This function is not available as GigE Vision feature.



Caution Do not change the baud rate, if the camera is to be controlled via GigE Vision features.



The baud rate of the RS232 interface is determined by use of register **s**:

The bits of the parameter value are divided into three different sized bit groups **a**, **e** and **x**. Each bit group has a special function, being independent of the other ones:

- **a**: Controls the configuration of the serial port.
- **e**: Controls the echo mode.
- **x**: Controls the baud rate of the serial port.

s	0	Operation Mode Integrator / Image Store		F	E	D	C	B	A	9	8	7	6	5	4	3	2	1	0
				-	-	-	-	-	-	-	-	-	e	a	a	-	x	x	x
		Bit group	Value (hex)	Description															
x		0	110 Baud																
		1	300 Baud																
		2	600 Baud																
		3	1200 Baud																
		4	2400 Baud																
		5	4800 Baud																
		6	9600 Baud																
		7	19200 Baud																
		8	38400 Baud																
		9	57600 Baud																
a		A	115200 Baud																
		00	RS232 via 15 pin SUB-D only.																
		01	Additionally activate second channel via Pleora device port serial 0.																
		10	Additionally activate second channel vis Pleora device port bulk 0 (MODE:UART).																
e		11	Reserved.																
		0	Each character received from the host is echoed back to it.																
		1	No Echo.																

Table 31: Baud rates: values

Example

Set the factory default (115200 Baud and activate serial interface via Gigabit Ethernet).

```
>s=2A[CR]
```

Save parameters in flash (X)

The command **X=1** stores all parameter values into a system file within the flash memory. After restarting the camera they are automatically restored. However, neither new recorded correction images, nor modified set values (**J** and **K** for all valid **S**) are stored and will therefore be lost after the camera is switched off.

GigE Vision feature name	Description
SaveParameterToCameraFlash	Saves the parameters into internal camera flash memory. (X=<value> command) 1 = All parameter values are stored into a system file within the flash memory of the camera.

Table 32: Camera special feature: SaveParameterToCameraFlash

Upload a file to flash (Q)

Caution



The commands **d=<p8>** and **Q=<p8>** do not need additional confirmation.

Files below ID 0xF0 are not write-protected and thus are modified or deleted without warning.

The data in the flash memory are managed in a minimalist file system. Files are identified via one byte. Valid file numbers are between 1 (0x01) and 254 (0xFE). A further byte can be used to define the file type. There is no directory structure. This results in a maximum possible number of 254 simultaneously stored files.

A lot of file numbers are already reserved by factory. For the correction data of the **Pearleye P-007 LWIR / Pearleye P-030 LWIR** the file numbers 1, 32-96, 112-113, 128-129 are used. File numbers greater than or equal to 240 are reserved for the system itself and will be not visible to the user.

For user data we recommend the file numbers between 16 (0x10) and 31 (0x1F).

The file system is administrated by serial commands (via RS232 or inband via Gigabit Ethernet). There are different commands to control the file system:

Command	Description
l=1	List actually stored file numbers.
d=<p8>	Delete the file with the specified file number.
v=<p8>	View file. Dumps all bytes of the specified file to the serial interface.
Q=<p8>	Upload a file and store it in the Flash memory.

Table 33: File system commands

Note For more details see Chapter [Command reference](#) on page 65.



Note The upload via the inband Device Port Serial 0 can take a lot of time (only some thousand bytes/minute are transmitted).



For larger files we recommend to use the external RS232 port or the inband Device Port Bulk 0.

For details on how to configure the port see Chapter [Baud rate \(s\)](#) on page 59.

The command **Q=<p8>** transmits files to the module. <p8> is an 8 bits wide parameter value in ASCII hexadecimal notation. It specifies the number for the file to be created or overwritten. After confirmation of the command by sending a carriage return character [CR] additional parameters will be expected; e.g. the type of the file, its size and also the data itself.

Below you see an example of a character sequence. It creates a file under the number 16 (0x10) with file type 66 (0x42) containing the text "Testtext" as data:

Example

```
>Q=10 [CR]
N00000007S4200 [PAUSE]D5465737474657874
>
```

As from confirmation of the command **Q** with [CR] the following characters are not echoed back as usual. That means that the control character sequence **N00...** has to be sent *blind*.

The character sequence is divided into the following parts:

Part	Description
Nnnnnnnnn	n = file size in bytes – 1. Creating a file of size 0 is not specified.
Sttmm	t = file type (any between 01 and FE) m = transmit mode (always 00)
[PAUSE]	To prevent an overflow of the input buffer, a pause of at least one second is mandatory. The file system needs time to open the file and delete the data of a potentially existing file.
Ddddddd...	n+1 data bytes in ASCII hexadecimal representation (two characters 0...9,A...F per byte)

Table 34: The Q=<p8> command: parts

If an error occurs during transmission, the operation will instantly be aborted. The camera module sends a ? character as error mark. Already transmitted data bytes will stay stored in the file, meaning that the first part of the file may still exist after abort. The sender should regularly check for reception of the ? while transmitting large files to efficiently recognize the error situation. This allows the sender to stop the transmission. As soon as the module outputs its command prompt the sender may retry the transmission. If the transmission fails several times, the flash chip may be full or there is an error in the hardware.

Caution



Do **not** switch off the camera during file writing operation (e.g. command **d=<p8>** or **Q=<p8>**) until the host received the command prompt character >.

Switching off the camera during file writing operation will very likely corrupt the file system.

In this case return the camera to Allied Vision for system recovery.

Retrieve a file: v=<p8> command

To retrieve (view) a file, the command **v=<p8>** may be used. This command directly outputs the data bytes of the specified file to the serial interface (not in ASCII hexadecimal notation as with **Q=<p8>**).

The above mentioned example would produce following output:

```
>v=10
Testtext
>
```

Because this example uses an ASCII text file, the data can be displayed correctly in a terminal window. For binary data this is not the case.

Note



- Large files may take a while for output.
- For an easy access to the file system Allied Vision also offers a Windows application (**File manager**) that can be used to upload files. This is also included in the **Acquire-Control** application and can be started by command [CTRL+F].
- All file operations are not available via GigE Vision features.

Appendix

Command reference

This chapter describes the general command reference of the **Pearleye P-007 LWIR / Pearleye P-030 LWIR** firmware. It can be output to the camera's serial interface by sending the command `?=1`.

Note



This firmware is used in other camera models as well. Thus not all commands and parameters mentioned in this reference are useful in conjunction with the **Pearleye P-007 LWIR / Pearleye P-030 LWIR**.

```
IRC-300CL/GE, IRC-320CL/GE, IRC-340CL/GE, IRC-600CL/GE, IRC-640CL/GE,  
NIR-300(F)(P)CL/GE, NIR-600PCL/PGE, NIR-610PCL/PGE;  
Pearleye P-007 LWIR, Pearleye P-030 LWIR,  
Goldeye (CL/P)-008 NIR (Cool) and Goldeye (CL/P)-032 NIR Cool  
Series Command Help
```

```
=====  
Version.....: Vxx / xx.xx.20xx / AVT GmbH  
Referenced Firmware...: Vxx / Vxxxx
```

General Information

Each command consists of a command letter, optionally followed by an equals sign and a parameter value in hexadecimal number representation. The command letter is case sensitive. Hexadecimal values are always upper case and are 1 to 4 digits long. The command is activated by sending a carriage return character ([CR], ASCII character number 0x0D). Serial communication operates in echo mode by default. This means that each character received by the module is echoed back to the sender.

Example (set Baudrate to 115200 Baud, RS-232 only):
s=A[CR]

After successful execution of the command, the command input character ">" is output. If any error occurred, somewhere previous to the prompt a question mark character "?" is displayed.

To query a parameter value, send the corresponding command letter followed by the equals sign and a question mark character:
s=?[CR]

If the intended action does not need any parameter, it is also sufficient in most cases - as a shortcut - to send the command letter only, directly followed by [CR].

At the beginning of a command sequence it is good practice to check the serial communication by sending just a [CR] to the camera and verify that the command prompt ">" is returned. There is an input buffer holding a few characters but no hardware handshake. Thus a sequence of commands should not be sent to the camera without awaiting the intermediate input prompts. Otherwise the camera's serial input buffer may overflow.

How to use Help

To see this help text type the following command:

?=1[CR]

Conventions

<p8> : 8 bits long parameter value (1 to 2 Hex characters)
<p16> : 16 bits long parameter value (1 to 4 Hex characters)
<aa00_*bbb> : 8 bits long parameter (resulting in two hex chars) consisting of bit fields. The function of each bit field is described, like this:
 "aa" : Lower case letters label the bits of interest.
 "00" : These bits have to be zero.
 "_" : Separation character for readability.
 "*" : Marks a don't care bit, should be written as "0".
 "bbb" : Bit fields may have any length.
(*) : Some commands are only accessible in a special password protected administrator mode.

Command Overview (Lower Case Commands, Mainly for Administration purposes)

a=<p16> : Set the serial number A and save it to flash. (*)
b=<p16> : Set the serial number B and save it to flash. (*)
c=<p8> : Configure the FPGA with data from the specified file number. (*)
d=<p8> : Delete the file with the specified file number.
e=<p8> : Erase the flash. (*)
 e=0 : Erase used blocks only.
 e=FF : Erase all blocks.
f=<p16> : Write a data byte to a FPGA register. (*)
 High Byte : Data value to write.
 Low Byte : Address of the register.
g=<p8> : Read a data byte from a FPGA register at specified address. (*)

```

h=<p16>          : Internal mode and control register. (*)
                  <**kk_jjih_gfed_cbaa>
                  \|\ \|\|\ \|\|\ \|\|\
                  |  \|\ \|\|\ \|\|\ \|\|\ +-a: Camera Link output mode.
                  |  \|\ \|\|\ \|\|\ \|\|\    00 -> 12 data bits per pixel.
                  |  \|\ \|\|\ \|\|\ \|\|\    01 -> 14 data bits per pixel.
                  |  \|\ \|\|\ \|\|\ \|\|\   10 -> 16 data bits per pixel.
                  |  \|\ \|\|\ \|\|\ \|\|\   11 -> 10 data bits per pixel.
                  |  \|\ \|\|\ \|\|\ |+---b: Destination of external trigger
                  |  \|\ \|\|\ \|\|\ |         signal (GE interface only). See
                  |  \|\ \|\|\ \|\|\ |         W=<p8> for details.
                  |  \|\ \|\|\ \|\|\ +-----c: Current shutter state. Use I=<p8> to
                  |  \|\ \|\|\ \|\|\          control the shutter (IRC-320/IRC-600,
                  |  \|\ \|\|\ \|\|\          Pearleye P-007/P-030 only).
                  |  \|\ \|\|\ \|\|\ |+-----d: NIR-300F/NIR-600 and Goldeye CL-008/
                  |  \|\ \|\|\ \|\|\          P-008/P-032 support.
                  |  \|\ \|\|\ \|\|\          0 -> Normal mode (e.g. for
                  |  \|\ \|\|\ \|\|\          IRC-300/320/600, NIR-300,
                  |  \|\ \|\|\ \|\|\          Pearleye P-007/030).
                  |  \|\ \|\|\ \|\|\          1 -> NIR-300F/NIR-600, Goldeye
                  |  \|\ \|\|\ \|\|\          CL-008/P-008/P-032 mode.
                  |  \|\ \|\|\ \|\|\ |+-----e: Destination for bad pixel correction
                  |  \|\ \|\|\ \|\|\ |         data loading from flash (NIR-300F,
                  |  \|\ \|\|\ \|\|\ |         Goldeye CL-008/P-008).
                  |  \|\ \|\|\ \|\|\ |         0 -> Buffer used during normal mode
                  |  \|\ \|\|\ \|\|\ |         (CC2=high).
                  |  \|\ \|\|\ \|\|\ |         1 -> Buffer used during fast AOI mode
                  |  \|\ \|\|\ \|\|\ |         (CC2=low).
                  |  \|\ \|\|\ \|\|\ |+-----f: The shutter's normal (inactive) state
                  |  \|\ \|\|\ \|\|\ |         (IRC-320/600, Pearleye P-007/030 only).
                  |  \|\ \|\|\ \|\|\ |         0 -> Shutter normally open.
                  |  \|\ \|\|\ \|\|\ |         1 -> Shutter normally closed.
                  |  \|\ \|\|\ \|\|\ |+-----g: Global frame output enable.
                  |  \|\ \|\|\ \|\|\ |         0 -> FVAL always low.
                  |  \|\ \|\|\ \|\|\ |         1 -> FVAL toggles.
                  |  \|\ \|\|\ \|\|\ |+-----h: Compatibility mode (CL interface
                  |  \|\ \|\|\ \|\|\ |         only).
                  |  \|\ \|\|\ \|\|\ |         0 -> Rev. 2.
                  |  \|\ \|\|\ \|\|\ |         1 -> Rev. 1.
                  |  \|\ \|\|\ \|\|\ |+-----i: Continuous internal temperature
                  |  \|\ \|\|\ \|\|\ |         measurement (affects T=2 command,
                  |  \|\ \|\|\ \|\|\ |         only available on IRC-320/600,
                  |  \|\ \|\|\ \|\|\ |         Pearleye P-007/030).
                  |  \|\ \|\|\ \|\|\ |         0 -> continuous temperature
                  |  \|\ \|\|\ \|\|\ |         measurement disabled.
                  |  \|\ \|\|\ \|\|\ |         1 -> continuous temperature
                  |  \|\ \|\|\ \|\|\ |         measurement enabled.
                  |  \|\ \|\|\ \|\|\ |+-----j: IRC-340 support.
                  |  \|\ \|\|\ \|\|\ |         00 -> Normal mode.
                  |  \|\ \|\|\ \|\|\ |         11 -> IRC-340 mode.
                  |  \|\ \|\|\ \|\|\ |         Other values are reserved.
                  +-----k: Data multiplexing mode of the camera
                  head.
                  00 -> 12 bits slow, first word (e.g.
                  IRC-300/320, NIR-300, Pearleye
                  P-007).
                  01 -> 12 bits slow, second word (for
                  testing purposes).

```

- 10 -> 12 bits fast (e.g. NIR-300F, NIR-600; Goldeye CL-008, P-008 or P-032).
- 11 -> 14 bits multiplex (e.g. IRC-600, Pearleye P-030).

```

i=<p16>      : Fast AOI mode offset for Two Point Correction. This offset
              controls the starting point of correction data from memory,
              if NIR-300F/NIR-600 and Goldeye CL-008/P-008/P-032 mode is
              activated (see h=<p16>) and the CC2 signal from the grabber
              is low. This parameter is specified in number of pixels
              divided by 8. (*)

j=<p16>      : Mode of the automatic calibration function (k=<p16>).
              <0000_000g_fffe_dcba>
              | \_||_||||
              |  _||_|||+--a: 0 -> Do not select a new correction
              |   ||_|||      data set.
              |   ||_|||      1 -> Try to find a good correction
              |   ||_|||      data set and activate it
              |   ||_|||      (S=<p8>).
              |   ||_|||+---b: 0 -> Do not take a new background
              |   ||_|||      correction image.
              |   ||_|||      1 -> Integrate frames to a new
              |   ||_|||      background correction image,
              |   ||_|||      activate the correction if
              |   ||_|||      deactivated (U=1) and eventually
              |   ||_|||      (see bit field "e") set offset
              |   ||_|||      to mean value of the new
              |   ||_|||      correction image (M=<p16>). Bit
              |   ||_|||      field "f" specifies the number
              |   ||_|||      of frames to integrate. See bit
              |   ||_|||      field "b" of parameter U=<p8>
              |   ||_|||      for description.
              |   ||_||+----c: 0 -> (IRC-320/600, Pearleye P-007/030
              |   ||_|||      only:) Leave the mechanical
              |   ||_|||      shutter open for automatic
              |   ||_|||      correction data set selection.
              |   ||_|||      1 -> (IRC-320/600, Pearleye P-007/030
              |   ||_|||      only:) Close the mechanical
              |   ||_|||      shutter for automatic correction
              |   ||_|||      data set selection.
              |   ||_||+----d: 0 -> (IRC-320/600, Pearleye P-007/030
              |   ||_|||      only:) Leave the mechanical
              |   ||_|||      shutter open for background
              |   ||_|||      correction image integration.
              |   ||_|||      1 -> (IRC-320/600, Pearleye P-007/030
              |   ||_|||      only:) Close the mechanical
              |   ||_|||      shutter for background correction
              |   ||_|||      image integration.
              |   ||_||+-----e: Activation of the offset calculation
              |   ||_|||      for the background correction.
              |   ||_|||      0 -> Do not calculate new mean value.
              |   ||_|||      M=<p16> keeps its current data.
              |   ||_|||      1 -> Calculate a new value and set
              |   ||_|||      it as offset for the background
              |   ||_|||      correction (M=<p16>). Bit field
              |   ||_|||      "g" controls the calculation
  
```

```

| | method.
| +-----f: Operation mode during image
| integration. See bit field "b" of
| parameter U=<p8> for description.
+-----g: Offset calculation method for the
background correction (M=<p16>).
0 -> Set M=<p16> to the mean value of
the newly captured background
correction image.
1 -> (IRC-320/600, Pearleye P-007/030
only:) Set M=<p16> to a linear
interpolated value depending on
the current camera temperature.
See parameter q=<p8> for
correction data file.

k=<p16> : Start the automatic calibration function. Depending on the
value of j different correction mechanisms are applied
to improve image quality. The parameter U may be affected,
too.
k=0 : Calibrate one-time.
k=<1..FFFF> : Start the calibration every k*256 frames.

l=1 : List contents of the flash file directory.

m=<p8> : (IRC-320/600, Pearleye P-007/030 only:)
Operation mode of the temperature drift compensation.
A linear compensation term n*T + o + p is added
to the pixel data to correct a drift depending on the
temperature T. The temperature T is measured internally.
Slope and offset of the linear term are controlled by n=<p16>
and o=<p16>. Changing this parameters may void ex factory
calibration.
<000f_000m>
| |
| +---m : Operation mode.
| 0 -> Deactivated.
| 1 -> Drift compensation activated using
| the temperature measured internally.
| Please note: not all camera models
| are equipped with a temperature
| sensing feature.
+-----f : Bypass the filtering of internally measured
temperature.
0 -> Filter is enabled.
1 -> Filter is bypassed.

n=<p16> : (IRC-320/600, Pearleye P-007/030 only:)
Slope n of the linear drift compensation
term n*T + o. The value specifies the slope in counts per °C
and is represented in 10.6 bits fixed point two's complement
notation. See parameter m=<p8> for more details about drift
compensation. Changing this parameter may void ex factory
calibration.

o=<p16> : (IRC-320/600, Pearleye P-007/030 only:)
Offset o of the linear drift compensation
term n*T + o. The value specifies an offset in counts and is

```

represented in 16 bits fixed point two's complement notation. See parameter m=<p8> for more details about drift compensation. Changing this parameter may void ex factory calibration.

- p=<p16> : (IRC-320/600, Pearleye P-007/030 only:)
User specified parameter for the temperature drift compensation. This is a value represented in 16 bits fixed point two's complement notation. The value is an additional offset value to fine adjust the camera. See parameter m=<p8> for more details about drift compensation.
- q=<p8> : (IRC-320/600, Pearleye P-007/030 only:)
File number of the binary table data for the temperature dependant mean value correction (see parameter j=<p16>). The file consists of sampling points given as binary value pairs (temperature, M). The correction interpolates linearly between two sampling points and extrapolates beyond the edges of the covered temperature range. Correction data is recorded during the factory calibration process. Changing this parameter or the specified file contents may void ex factory calibration.
- s=<p8> : Configure the UART(s) for main serial communications. Changes are activated immediately.
- ```
<aaa*_bbbb>
| | _ |
| | +---b: Baud rate of the main UART and (if
| | available) the second channel UART. The
| | second channel UART supports 9600 to 115200
| | Baud only.
| | 0 -> 110 Baud.
| | 1 -> 300 Baud.
| | 2 -> 600 Baud.
| | 3 -> 1200 Baud.
| | 4 -> 2400 Baud.
| | 5 -> 4800 Baud.
| | 6 -> 9600 Baud.
| | 7 -> 19200 Baud.
| | 8 -> 38400 Baud.
| | 9 -> 57600 Baud.
| | A -> 115200 Baud.
| +-----a: Second channel UART configuration. This
| channel is equivalent to the main UART
| concerning the use as command interface.
| But it is not intended to use both UARTs at
| the same time, because they share the same
| receive buffer. Output characters are always
| sent to both channels.
| 00 -> Second channel UART off. The active
| serial communication port is selected
| by hardware jumper settings.
| 01 -> Activate second channel via the frame
| grabber's serial port. This is either
| Camera Link TG/TC or Pleora device
| port serial 0.
| 10 -> Activate second channel via Pleora
| device port bulk 0 (MODE:UART,
```

```

| GigE interface only).
| 11 -> Reserved.
+-----e: Echo suppression.
| 0 -> Each character received from the host
| is echoed back to it.
| 1 -> No echo.

```

v=<p8> : View file. Dumps all bytes of the specified file to the serial interface. Raw data is output. If the file contains binary data it may disturb a connected terminal program. Please consider the available baud rate: large files may take several minutes to transfer.

x=1 : Dump the complete processor RAM contents in hexadecimal format. (\*)

#### Command Overview (Upper Case Commands, Mainly for User Configuration)

```

A=<p8> : File number of the first cold (low) reference image
of the two point correction (Gain Offset Correction).
Changing this parameter or the contents of the specified
files may void ex factory calibration.
 0 : No loading of any correction image. The
 memory content remains uninitialized at
 startup.
 01..EF : The correction data is loaded from the
 indicated file. If the following
 number also exists within the flash, it is
 loaded into the second page of the
 correction memory. This sequential loading
 procedure is continued as long as one file
 number in the sequence is missing or the
 maximum number (currently 32) is achieved.
 FF : 64 frames are integrated and the result
 is loaded into the active page of the
 correction memory as a new correction image.

```

```

B=<p8> : File number of the first warm (high) reference image
of the two point correction (Gain Offset Correction).
Changing this parameter or the contents of the specified
files may void ex factory calibration.
 0 : No loading of any correction image. The
 memory content remains uninitialized at
 startup.
 01..EF : The correction data is loaded from the
 indicated file. If the following
 number also exists within the flash, it is
 loaded into the second page of the
 correction memory. This sequential loading
 procedure is continued as long as one file
 number in the sequence is missing or the
 maximum number (currently 32) is achieved.
 FF : 64 frames are integrated and the result
 is loaded into the active page of the
 correction memory as a new correction image.

```

```

C=<p8> : File number of the correction data for the bad pixel

```

correction. Changing this parameter or the contents of the specified files may void ex factory calibration.

- 0 : No loading of any correction image. The memory content remains uninitialized at startup.
- 01..EF : The correction data is loaded from the indicated file. In case that the following number also exists within the flash, it is loaded into a second page of the correction memory. The actually data page for correction is selected depending on the grabber's CC2 signal state.

D=<p8> : File number of the data for the 12-bits-LUT. Changing this parameter or the contents of the specified files may void ex factory calibration.

- 0 : No LUT data is loaded. The memory content remains uninitialized at startup.
- 01..EF : The correction data is loaded from the indicated file.

E=<p8> : Operation mode of the two point correction (Gain Offset Correction). Changing this parameter may void ex factory calibration.

- 0 : Deactivated. Image data is passed through transparently.
- 1 : Two point correction activated. Correction data A and B with set values J and K of the actual correction memory page S are employed.
- 2 : Two point correction deactivated. Test mode: Correction data A is output as image data.
- 3 : Two point correction deactivated. Test mode: Correction data B is output as image data.
- 4 : One point correction: Simple subtraction of the correction data A from the input data. In addition the set value J is added as offset to each pixel value.
- 5 : One point correction: Simple subtraction of the correction data B from the input data. In addition the set value K is added as offset to each pixel value.

F=<p8> : Operation mode of the bad pixel correction.

- 0 : Deactivated. Image data is passed through transparently.
- 1 : Activated. Correction data C is employed.
- 2 : Deactivated. Test mode: Data output controlled by L=<p8>(\*).

G=<p8> : Operation mode of the LUT. Changing this parameter may void ex factory calibration.

- 0 : Deactivated. Image data is passed through transparently.
- 1 : Activated.
- 2 : Deactivated. Test mode: LUT data is output sequentially.

H=<p8> : Operation mode of the integrator / image store. This module



shares its memory with the background correction (U=<p8>). This means that a new captured image with the command H=<p8> overwrites the current image of the background correction. The difference between H=<p8> and U=<p8> is the position in the image processing chain: H integrates and outputs data always at the beginning of the chain, which is uncorrected camera raw data. U operates behind the two point correction and thus integrates the data output of the two point correction (see E=<p8>).

```
<d*cc_bbba>
| \ | \ _ ||
| | | | +---a : Output mode.
| | | | 0 -> Pass image data through unchanged.
| | | | 1 -> Actual image memory content is output.
| | +---b : Control of integration process. Assigning a
| | new (not equal) value to this bit field
| | starts the corresponding action. Please
| | ensure that at least N+2 frames are output
| | from the camera head and let this amount of
| | time pass until a new value is assigned.
| | 000 -> No integration operation.
| | 001 -> Store the next image.
| | 100 -> Integrate 8 images and divide by 8.
| | 101 -> Integrate 16 images and divide by 16.
| | 110 -> Integrate 32 images and divide by 32.
| | 111 -> Integrate 64 images and divide by 64.
| | (Other values undefined.)
| +-----c : Control of the data copy process (usually
| done after a new image has been integrated).
| Let pass through at least one complete frame
| (to be sure: wait two frames) from the camera
| to completely copy the data. Set this field
| back to 00 after copying. Notice that the
| set values J and K are not affected.
| 00 -> No action.
| 01 -> Copy to Target A. The image store
| content of the integrator is subject
| to be copied into the correction
| data store as cold (low) reference
| image of the two point correction.
| 10 -> Copy to Target B. The image store
| content of the integrator is subject
| to be copied into the correction
| data store as warm (high) reference
| image of the two point correction.
+-----d : State of the integration process (read only).
0 -> Integration has finished.
1 -> Integration is still in progress.
```

```
I=<p8> : Set the mechanical shutter state manually (IRC-320/600,
Pearleye P-007/030 only).
0 : Shutter open.
1 : Shutter closed.
```

```
J=<p16> : Define the set value for the cold (low) reference image of
the two point correction. It is a 16 bits value of which
the 12 (or 14) most significant bits currently are used. For
each correction data set S=<p8> an own set value is stored.
```

All set values are loaded together from the flash file N=<p8>. Changing this parameter may void ex factory calibration.

- K=<p16> : Define the set value for the warm (high) reference image of the two point correction. It is a 16 bits value of which the 12 (or 14) most significant bits currently are used. For each correction data set S=<p8> an own set value is stored. All set values are loaded together from the flash file N=<p8>. Changing this parameter may void ex factory calibration.
- M=<p16> : Offset value for the background correction. This value is added to every pixel value of the input image. It is a 16 bits value of which the 12 (or 14) most significant bits currently are used. If the automatic calibration function with background correction image integration is used (see k and j), this parameter is automatically set to the mean value of the background correction image.
- N=<p8> : File number of the flash file containing the set values for the two point correction (J,K). Changing this parameter or the contents of the specified files may void ex factory calibration.
- 0 : No set values are loaded. The memory content remains uninitialized at startup.
  - 01..EF : The correction data is loaded from the indicated file.
- O=<p8> : File number of the file containing the FPGA configuration data. (\*)
- P=1 : Upload a new FPGA configuration file via the serial interface and store it in the flash memory. After issuing [CR] a special transfer protocol is processed. A currently existing file will be overwritten. (\*)
- Q=<p8> : Upload a general file via the serial interface and store it in the flash memory using the specified file number. After issuing [CR] a special transfer protocol is processed. A currently existing file will be overwritten. WARNING: Do not power down the device until the command prompt ">" has returned! Otherwise file system corruption may occur, which can leave the device inoperable.
- S=<p8> : Number of the correction data set to activate. The range of valid values depends on the number of factory prepared and currently loaded data sets. Please note that a change of S affects the correction data for the gain-offset correction.

```

T=1 : Show sensor temperature warning state.
 <***b_***a>
 |_ |
 | +--a : Sensor temperature warning state (this bit
 | is only valid for cameras with peltier
 | temperature stabilization like e.g. IRC-300,
 | IRC-320, IRC-600, NIR-300P, NIR-600P;
 | Pearleye P-007/030, Goldeye (CL/P)-008 NIR
 | Cool, Goldeye (CL/P)-032 NIR Cool).
 | 0 -> The sensor temperature is OK.
 | 1 -> The sensor temperature is outside the
 | optimum range. This can result in a
 | negative influence on the image
 | quality. Please ensure that the
 | temperature of the camera housing is
 | inside the specified range.
 +-----b : PLL state.
 0 -> PLL is locked.
 1 -> PLL is not locked. This should never
 occur under normal circumstances.

T=2 : Query camera's internal temperature value (IRC-320/600,
 Pearleye P-007/030 only).
 <dcb*_aaaa_aaaa_aaaa>
 ||| _____|
 ||| +--a : Temperature in 1 / 16 °C (two's
 ||| complement).
 ||+-----b : Result of LAST temperature
 || measurement attempt.
 || 0 -> Unsuccessful (if "c" is 1, the
 || value "a" is valid anyway,
 || but contains old data from the
 || last successful conversion).
 || 1 -> Successful.
 |+-----c : 0 -> The content of "a" is invalid.
 | 1 -> The content of "a" is valid.
 +-----d : Continuous temperature measurement
 is enabled (mirrors bit "i" in
 parameter h).

```

```

U=<p8> : Operation mode of the background correction module. May
 automatically be set to 1 by the command k, depending on the
 setting of parameter j.
 <c**a_bbba>
 | | _||
 | +---~+---a : Output mode of the background correction
 | | module. Attention: split bit field!
 | | 00 -> Pass image data through unchanged.
 | | 01 -> Background correction activated. The
 | | current background correction image is
 | | subtracted from the input image and
 | | the offset (M=<p16>) is added. A new
 | | background correction image can be
 | | taken by use of the command k=<p16> or
 | | use of the bits "b".
 | | 10 -> Output the current correction image.
 | | This mode changes the background
 | | correction into a fixed image source,
 | | no live image data from the camera is
 | | output.
 | +---b : Control of integration of new background
 | | correction image. Assigning a new
 | | (not equal) value to this bit field
 | | starts the corresponding action.
 | | 000 -> No integration operation.
 | | 001 -> Store the next image.
 | | 100 -> Integrate 8 images and divide by 8.
 | | 101 -> Integrate 16 images and divide by 16.
 | | 110 -> Integrate 32 images and divide by 32.
 | | 111 -> Integrate 64 images and divide by 64.
 | | (Other values undefined.)
 | +-----c : State of the integration process (read only).
 | | 0 -> Integration has finished.
 | | 1 -> Integration is still in progress.

V=1 : Show firmware version and calibration data information.

W=<p8> : Switch the destination of the opto coupler trigger input at
 pins 10/11 of the 15-pin D-sub connector (GigE interface
 variants only).
 0 : Route directly to camera head (OR-ed with
 CC1 from frame grabber).
 1 : Route to TTL_IN[0] of PT1000-VB board.

X=1 : Store the current parameter configuration to the flash.

Y=1 : Show the current parameter configuration.

Z=1 : Activates the factory default parameter configuration. The
 saved configuration is only affected if you store the new
 parameter values with X=1 afterwards. WARNING: The factory
 default configuration of the firmware usually is not
 identical to the camera specific ex-factory configuration.
 Especially individual calibration information may be lost by
 applying Z=1 followed by X=1!

?=1 : Show this help text.

```

## GigE Vision feature mapping to serial commands

The following table shows the assignment of the available GigE Vision features to the corresponding serial commands.

| GigE category<br>(CameraSpecialFeatures) | GigE feature name             | Feature visibility | Serial command |
|------------------------------------------|-------------------------------|--------------------|----------------|
| TwoPointCorrection                       | TPC_OperationMode             | Expert             | E=<value>      |
|                                          | TPC_CorrectionData_FileNumber | Expert             | N=<value>      |
|                                          | TPC_SetValue_LowRef           | Expert             | J=<value>      |
|                                          | TPC_SetValue_HighRef          | Expert             | K=<value>      |
|                                          | TPC_FirstImage_LowRef         | Expert             | A=<value>      |
|                                          | TPC_FirstImage_HighRef        | Expert             | B=<value>      |
| BackgroundCorrection                     | BGC_OperationMode             | Expert             | U=<value>      |
|                                          | BGC_OffsetValue               | Expert             | M=<value>      |
| LUT                                      | LUT_OperationMode             | Expert             | G=<value>      |
|                                          | LUT_CorrectionData_FileNumber | Expert             | D=<value>      |
| IntegratorAndImageStore                  | IIS_OperationMode             | Expert             | H=<value>      |
| BadPixelCorrection                       | BPC_OperationMode             | Expert             | F=<value>      |
|                                          | BPC_CorrectionData_FileNumber | Expert             | C=<value>      |
|                                          | AutoCalibrateOnce             | Beginner           | k=0            |
|                                          | AutoCalibrationMode           | Expert             | j=<value>      |
|                                          | AutoCalibrationInterval       | Expert             | k=<value>      |
|                                          | CorrectionDataSet             | Beginner           | S=<value>      |
|                                          | LoadParameterFromCameraFlash  | Expert             | Z=<value>      |
|                                          | SaveParameterToCameraFlash    | Expert             | X=<value>      |
|                                          | ParameterDump                 | Guru               | Y=<value>      |

Table 35: GigE feature mapping to serial commands

## GigE Vision feature description for Pearleye cameras

### DeviceInformation

| Feature        | Description                                                                                           |
|----------------|-------------------------------------------------------------------------------------------------------|
| DeviceModeName | Name of the attached camera model.                                                                    |
| DeviceID       | Unique 32 bit device ID of the Allied Vision camera model.                                            |
| DeviceUserID   | User ID field. This field can be accessed (R/W) by the user to store an additional device identifier. |
| DeviceScanType | This feature specifies the scan type of the sensor (Areascan or Linescan).                            |

Table 36: Standard: DeviceInformation

## ImageSizeControl

| Feature              | Description                                                                                                                                                                    |
|----------------------|--------------------------------------------------------------------------------------------------------------------------------------------------------------------------------|
| SensorWidth          | Maximum width of the sensor in pixels.                                                                                                                                         |
| SensorHeight         | Maximum height of the sensor in pixels.                                                                                                                                        |
| WidthMax             | This feature represents the maximum width (in pixels) of the image after horizontal binning, decimation or any other function changing the horizontal dimensions of the image. |
| HeightMax            | This feature represents the maximum height (in pixels) of the image after vertical binning, decimation or any other function changing the vertical dimensions of the image.    |
| Width                | This feature represents the actual image width expelled by the camera (in pixels).                                                                                             |
| Height               | This feature represents the actual image height expelled by the camera (in pixels).                                                                                            |
| OffsetX              | This feature represents the horizontal offset from the origin to the AOI (in pixels).                                                                                          |
| OffsetY              | This feature represents the vertical offset from the origin to the AOI (in pixels).                                                                                            |
| DecimationHorizontal | Unused.                                                                                                                                                                        |
| DecimationVertical   | Unused.                                                                                                                                                                        |
| PixelFormat          | List with all available pixel formats of the camera, e.g. MONO12.                                                                                                              |
| TestImageSelector    | Enables or disables the internal test image generator of the camera.                                                                                                           |

Table 37: Camera standard feature: ImageSizeControl

## AcquisitionControl

| Feature          | Description                                                                                                  |
|------------------|--------------------------------------------------------------------------------------------------------------|
| AcquisitionMode  | This feature controls the acquisition mode of the software. It describes how many frames should be acquired. |
| AcquisitionStart | Starts the image acquisition of the camera.                                                                  |
| AcquisitionStop  | Stops the image acquisition of the camera.                                                                   |

Table 38: Camera standard feature: AcquisitionControl

## CameraSpecialFeatures

| Feature                     | Description                                                                                                                                                                                              |
|-----------------------------|----------------------------------------------------------------------------------------------------------------------------------------------------------------------------------------------------------|
| AutoCalibrateOnce           | Start the automatic calibration once.<br>(k=0 command)<br>The processing of this command can take several seconds, depending on the current image rate and the number of correction data sets available. |
| AutoCalibrationMode         | Configure mode of the automatic calibration function.<br>(j=<value> command)                                                                                                                             |
| AutoCalibrationInterval     | Setup the automatic calibration interval. 0 = Calibrate one-time, 1..65535 = Calibrate every k*256 frames.<br>(k=<value> command)                                                                        |
| CorrectionDataSet           | Number of the correction data set to activate.<br>(S=<value> command)                                                                                                                                    |
| ReloadCameraSpecialFeatures | Force a reload of all parameters from the CameraSpecialFeatures section.                                                                                                                                 |

Table 39: Camera special feature: Calibration and correction data

| Feature                     | Description                                                                                                                |
|-----------------------------|----------------------------------------------------------------------------------------------------------------------------|
| CameraTemperatureState      | Camera temperature state.<br>0 = The camera temperature is OK.<br>1 = The camera temperature is outside the optimum range. |
| CameraTemperatureStateReg   | Camera temperature state register.                                                                                         |
| QueryCameraTemperatureState | Query camera temperature state.<br>(T=1 command)                                                                           |

Table 40: Camera special feature: Camera temperature

| Feature                      | Description                                                       |
|------------------------------|-------------------------------------------------------------------|
| ShutterTemperatureValue      | Shutter temperature value in degree Celsius.                      |
| ShutterTemperatureValueReg   | Shutter temperature value register.                               |
| QueryShutterTemperatureValue | Query camera shutter temperature state.<br>(T=2 command)          |
| MechanicalShutter            | Set the mechanical shutter state manually.<br>(I=<value> command) |

Table 41: Camera special feature: Shutter



### CameraSpecialFeatures\TwoPointCorrection

| Feature                       | Description                                                                                                  |
|-------------------------------|--------------------------------------------------------------------------------------------------------------|
| TPC_OperationMode             | Operation mode of the two-point correction.<br>(E=<value> command)                                           |
| TPC_CorrectionData_FileNumber | File number of the flash file containing the set values for the two-point correction.<br>(N=<value> command) |
| TPC_SetValue_LowRef           | Define the set value for the <b>low</b> reference image of the two-point correction.<br>(J=<value> command)  |
| TPC_SetValue_HighRef          | Define the set value for the <b>high</b> reference image of the two-point correction.<br>(K=<value> command) |
| TPC_FirstImage_LowRef         | File number of the first <b>low</b> reference image of the two-point correction. (A=<value> command).        |
| TPC_FirstImage_HighRef        | File number of the first <b>high</b> reference image of the two-point correction. (B=<value> command).       |

Table 42: Camera special feature: TwoPointCorrection

### CameraSpecialFeatures\BackgroundCorrection

| Feature           | Description                                                                                                                                                                   |
|-------------------|-------------------------------------------------------------------------------------------------------------------------------------------------------------------------------|
| BGC_OperationMode | Operation mode of the background correction.<br>(U=<value> command)<br><br>While reading this feature the MSB shows the state of the integration process.<br>(0=Idle, 1=Busy) |
| BGC_OffsetValue   | Offset value for the background correction.<br>(M=<value> command)                                                                                                            |

Table 43: Camera special feature: BackgroundCorrection

### CameraSpecialFeatures\LUT

| Feature                       | Description                                                 |
|-------------------------------|-------------------------------------------------------------|
| LUT_OperationMode             | Operation mode of the LUT.<br>(G=<value> command)           |
| LUT_CorrectionData_FileNumber | File number of the data for the LUT.<br>(D=<value> command) |

Table 44: Camera special feature: LUT

### CameraSpecialFeatures\IntegratorAndImageStore

| Feature           | Description                                                                                                                                                                    |
|-------------------|--------------------------------------------------------------------------------------------------------------------------------------------------------------------------------|
| IIS_OperationMode | Operation mode of the integrator and image store.<br>(H=<value> command)<br>While reading this feature the MSB shows the state of the integration process.<br>(0=Idle, 1=Busy) |

Table 45: Camera special feature: IntegratorAndImageStore

### CameraSpecialFeatures\BadPixelCorrection

| Feature                       | Description                                                                             |
|-------------------------------|-----------------------------------------------------------------------------------------|
| BPC_OperationMode             | Operation mode of the bad pixel correction.<br>(F=<value> command)                      |
| BPC_CorrectionData_FileNumber | File number of the correction data for the bad pixel correction.<br>(C=<value> command) |

Table 46: Camera special feature: BadPixelCorrection

# Index

## A

automatic calibration  
 (k) ..... 40

## B

background correction..... 35  
 (U, M)..... 51  
 background correction (U) ..... 57  
 Background temperature ..... 31  
 bad pixel correction ..... 35  
 (C, F) ..... 54  
 basic commands ..... 39  
 basic parameters ..... 39  
 baud rate (s) ..... 59  
 baud rates  
 values..... 60

## C

camera dimensions ..... 20  
 camera interfaces ..... 25  
 CE..... 12  
 command k=0 ..... 41  
 Conformity ..... 12  
 Contacting ..... 5  
 correction  
 emissivity ..... 31  
 correction data ..... 36  
 correction sets ..... 36  
 current parameter settings  
 (Y) ..... 44

## D

declaration of conformity ..... 12  
 dimensions ..... 20  
 document history ..... 6  
 drift compensation ..... 35

## E

electromechanical shutter (I) ..... 43  
 emission ratio ..... 31  
 emissivity correction ..... 31

External GND ..... 25  
 External Power ..... 25

## F

FCC Class B ..... 12  
 file system ..... 36  
 file system commands ..... 62  
 Frame-sync output..... 26, 28

## G

Gigabit Ethernet jack..... 33  
 GigE interface ..... 33  
 GigE jack pin assignment..... 33

## H

HyperTerminal ..... 26

## I

image processing ..... 24, 34  
 Image processing chain ..... 34  
 Integrator and image store  
 values..... 58  
 integrator and image store  
 (H)..... 51  
 integrator and image store (H) ..... 57  
 interfaces ..... 25  
 I/O connector ..... 25

## L

LED..... 21  
 Legal notice ..... 2  
 Look-up table (LUT)  
 (D, G) ..... 56  
 look-up table (LUT)..... 35

## O

optocoupler input..... 25  
 optocoupler output..... 25

## P

|                            |        |
|----------------------------|--------|
| parameter E                |        |
| values.....                | 46     |
| Parameter F                |        |
| values.....                | 54     |
| parameter U                |        |
| values.....                | 52     |
| Pearleye P-007 LWIR        |        |
| spectral transmission..... | 19     |
| Pearleye P-030 LWIR        |        |
| spectral transmission..... | 19     |
| Power supply .....         | 25, 26 |

## Q

|             |    |
|-------------|----|
| Q= command  |    |
| parts ..... | 63 |

## R

|                             |    |
|-----------------------------|----|
| RJ45 (8P8C) connector ..... | 33 |
| RoHS (2011/65/EU).....      | 12 |
| RS232 .....                 | 22 |
| RS232 COM Port.....         | 26 |
| RxD (RS232).....            | 25 |

## S

|                                                  |        |
|--------------------------------------------------|--------|
| save parameters in flash                         |        |
| (X).....                                         | 61     |
| select a correction data set                     |        |
| (S).....                                         | 39     |
| sensor temperature                               |        |
| too high.....                                    | 26, 28 |
| too low .....                                    | 25, 27 |
| serial commands .....                            | 23     |
| Serial interface .....                           | 26     |
| show help text                                   |        |
| (?).....                                         | 45     |
| software version and correction data information |        |
| (V).....                                         | 44     |
| Specifications                                   |        |
| Pearleye P-007 LWIR.....                         | 13     |
| Pearleye P-030 LWIR.....                         | 16     |
| specifications .....                             | 13     |
| Spectral transmission                            |        |
| Pearleye P-007 LWIR.....                         | 19     |
| Pearleye P-030 LWIR.....                         | 19     |
| start-up.....                                    | 22     |

|              |       |
|--------------|-------|
| styles ..... | 9     |
| Support..... | 5     |
| symbols..... | 9, 10 |

## T

|                                |    |
|--------------------------------|----|
| Technical information .....    | 5  |
| temperature data .....         | 29 |
| temperature drift compensation |    |
| (m, n, o, p).....              | 55 |
| temperature warning (T).....   | 43 |
| terminal program .....         | 26 |
| Trigger input .....            | 26 |
| Trigger (Reset) input.....     | 25 |
| two-point correction .....     | 35 |
| short introduction.....        | 37 |
| (A, B, E, J, K, N).....        | 46 |
| TxD (RS232) .....              | 25 |

## U

|                        |    |
|------------------------|----|
| U and M                |    |
| bit usage.....         | 53 |
| upload a file to flash |    |
| (Q).....               | 61 |