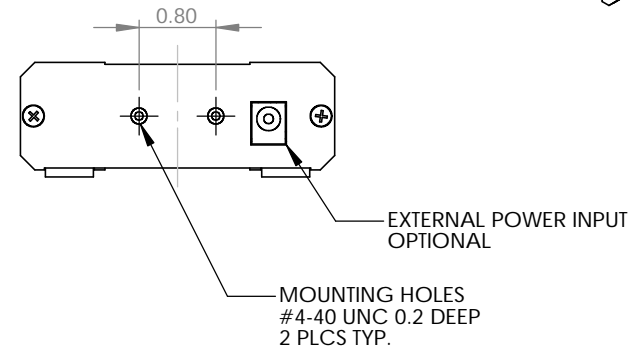
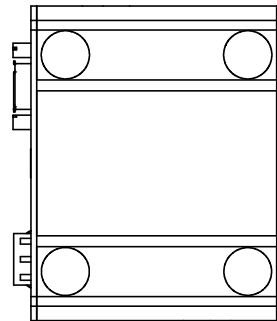
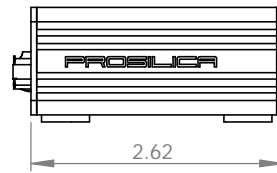
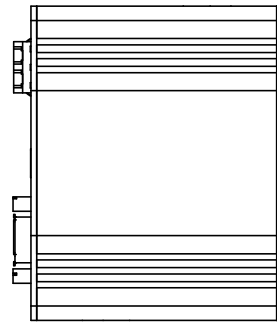
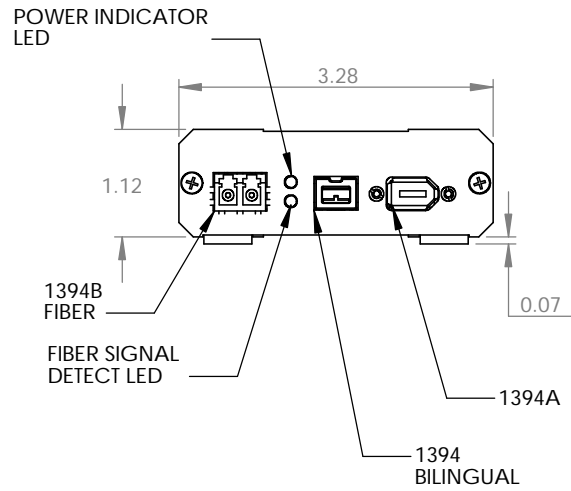
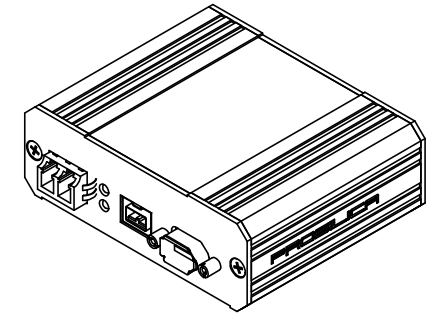


		REVISIONS			
ZONE	REV.	DESCRIPTION	DATE	APPROVED	



PROPRIETARY AND CONFIDENTIAL
 THE INFORMATION CONTAINED IN THIS DRAWING IS THE SOLE PROPERTY OF PROSILICA CORPORATION. ANY REPRODUCTION IN PART OR AS A WHOLE WITHOUT THE WRITTEN PERMISSION OF PROSILICA CORPORATION IS PROHIBITED.

		DIMENSIONS ARE IN INCHES		NAME		DATE		prosilica	
		TOLERANCES:		DRAWN					
		FRACTIONAL ±		CHECKED				1394 FIBER BOX ASSEMBLY	
		ANGULAR: MACH ± BEND ±		ENG APPR.					
		TWO PLACE DECIMAL ± 0.01		MFG APPR.					
		THREE PLACE DECIMAL ± 0.005		Q.A.					
		MATERIAL --		COMMENTS:					
NEXT ASSY		USED ON		FINISH --					
APPLICATION		DO NOT SCALE DRAWING							
				SIZE A		DWG. NO. FIBER BOX ASSEMBLY		REV. A	
				SCALE:1:2		WEIGHT:		SHEET 1 OF 1	